

**POOLPAK**

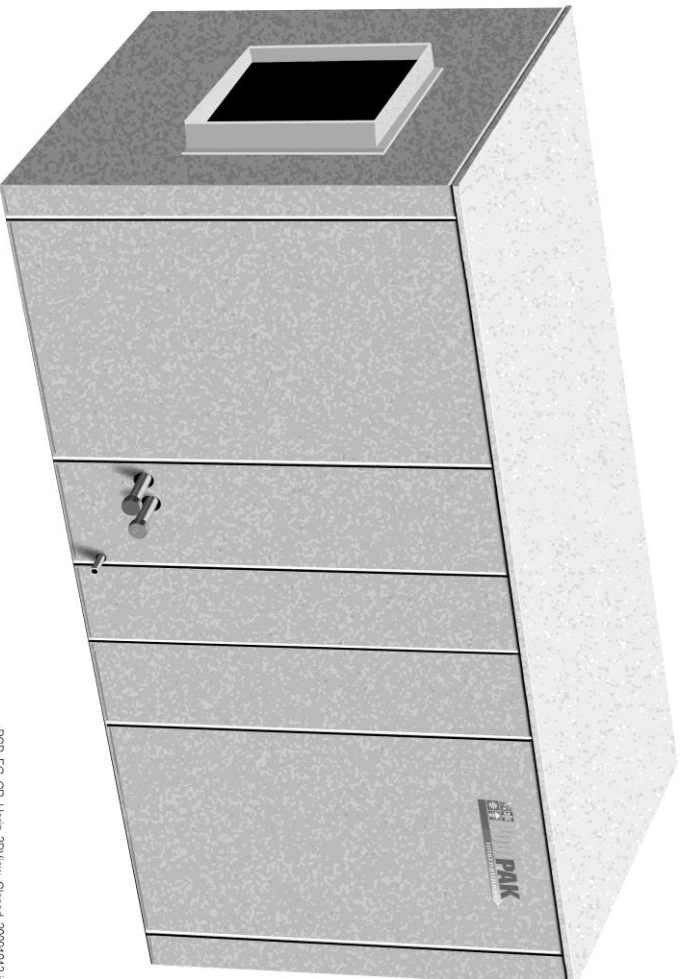


**PoolComPak**

**Series AWH/HCDH 1400/1800**

**Dimensional Drawings**

Packaged Natatorium Environment Control System



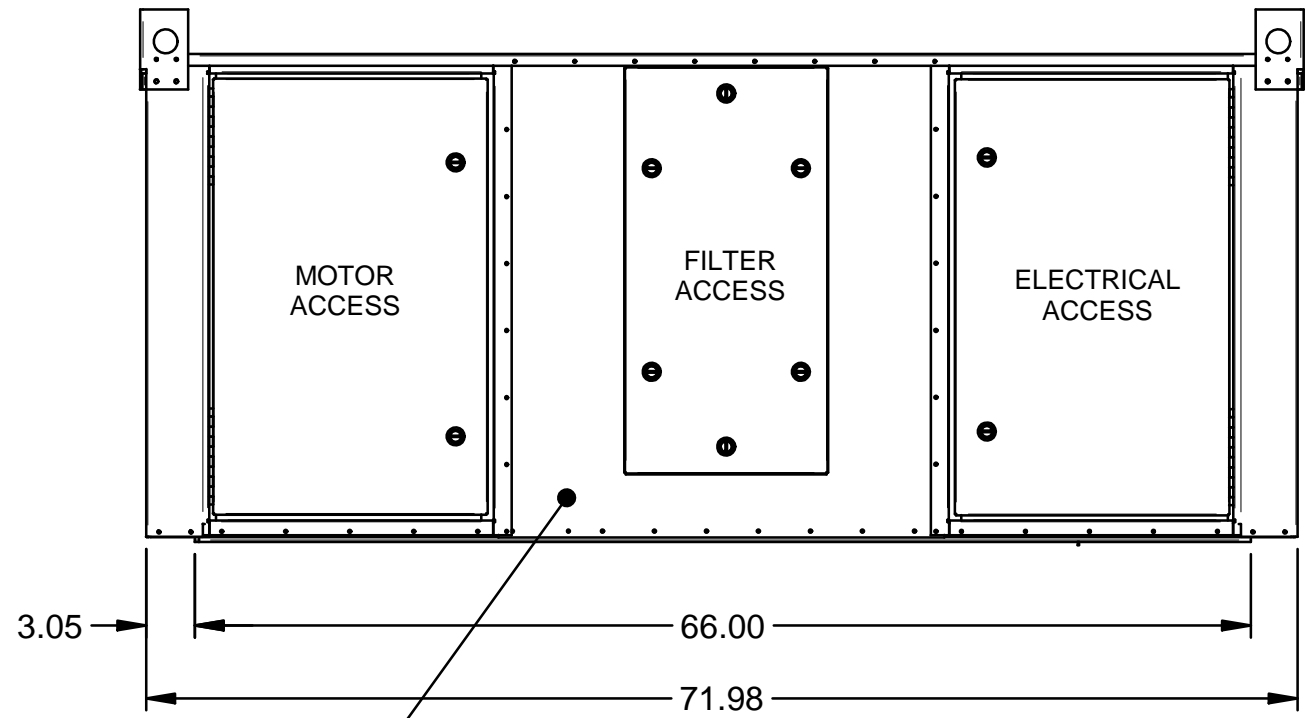
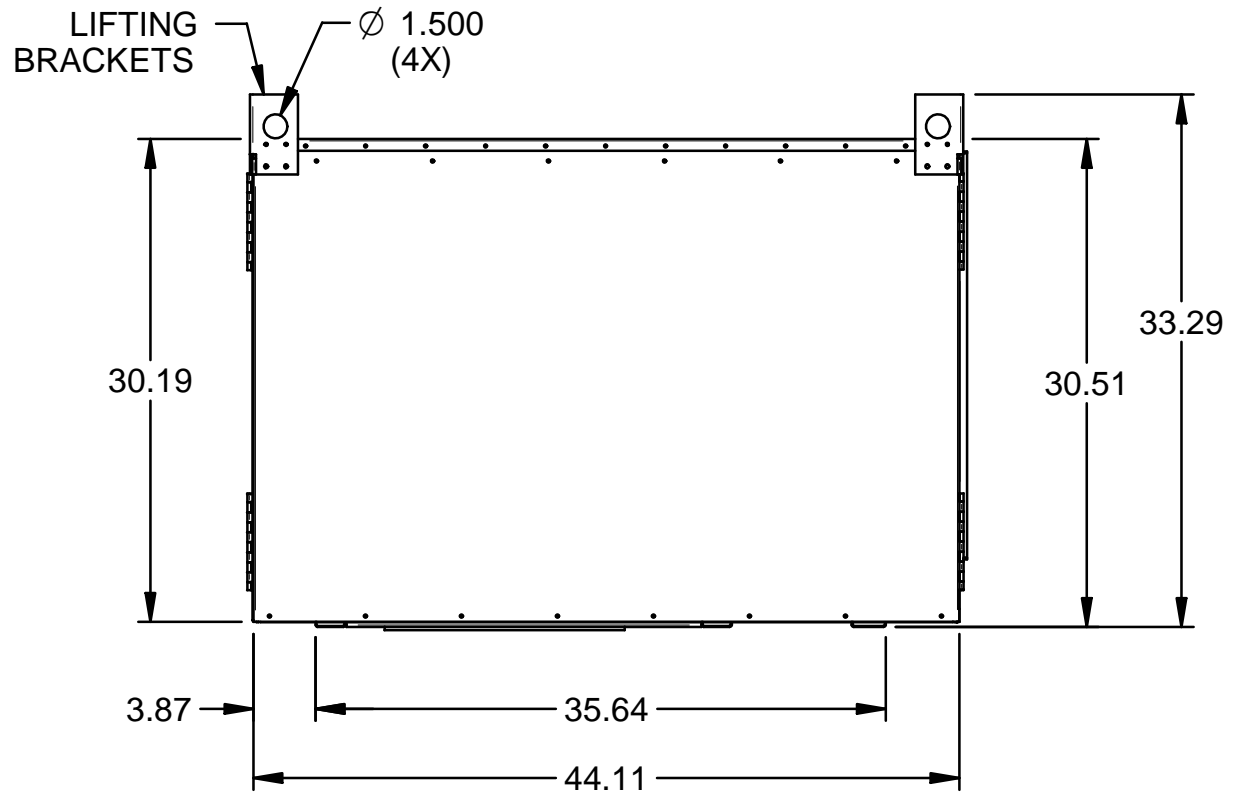
POP\_EG\_QR\_Horiz\_3DView\_Closed\_20091013.jpg



**POOL ComPAK**

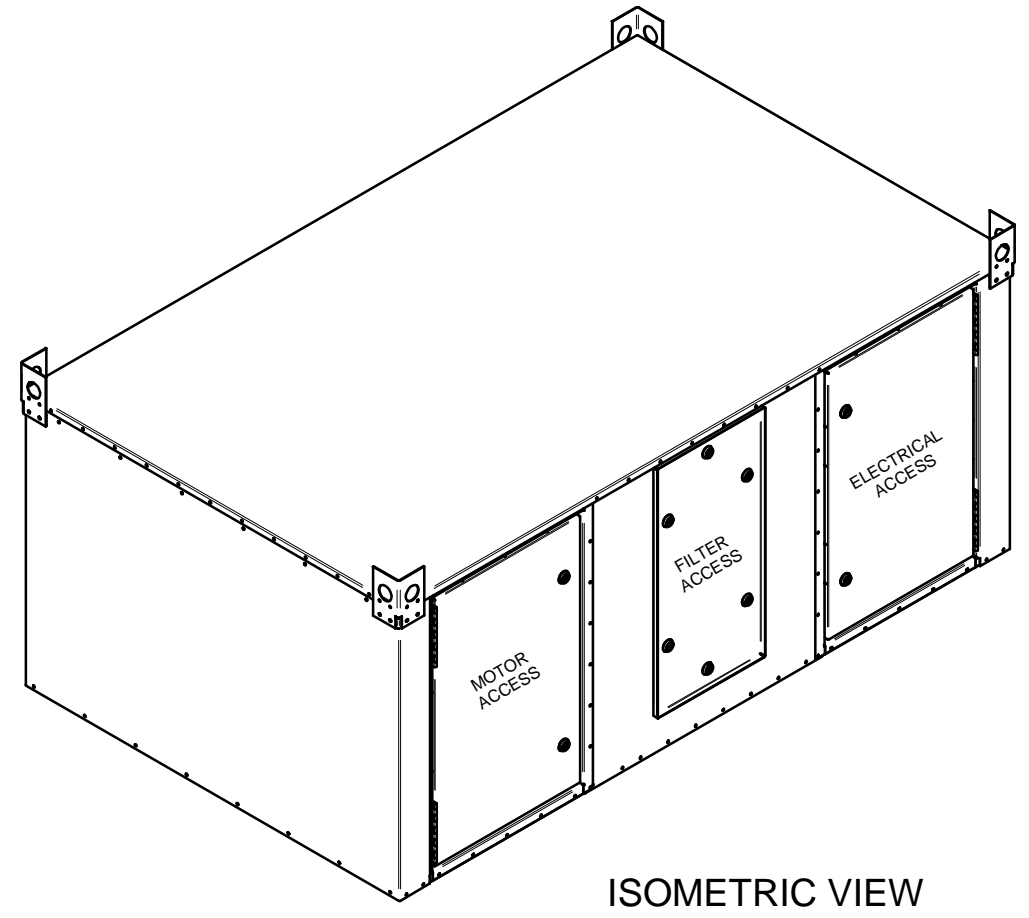
**PoolComPak™ Series (PCP)**

**Natatorium Dehumidification Unit**



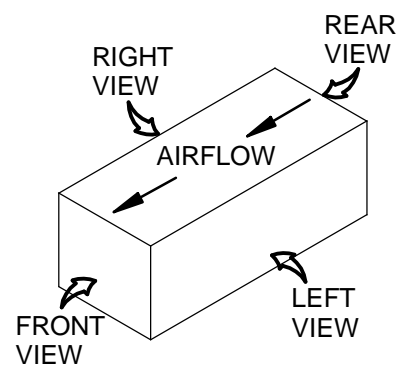
OVERALL DIMENSIONS

PIPING CONNECTION PANEL:  
 1" MPT POOL WATER;  
 1" MPT WCC;  
 1/2" MPT CONDENSATE;  
 7/8" ODS-ACC VAPOR;  
 5/8" ODS-ACC LIQUID; &  
 1" MPT-1R HWC OR  
 1-1/4" MPT-2R HWC  
 (IF APPLICABLE).



ISOMETRIC VIEW

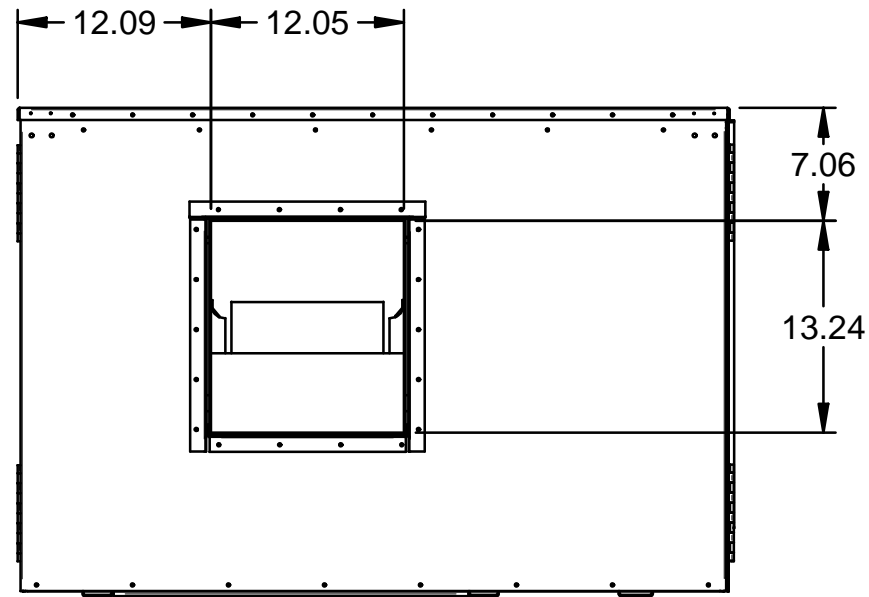
AIR FILTERS			
Location	Qty.	Size	P/N
Return (1")	2	20" x 24"	26-0090-9
Return (2")	2	20" x 24"	26-0090-15
Outside Air 0-1000 CFM	1	16" x 20"	26-0090-4
Outside Air 1001-2000 CFM	2	16" x 20"	26-0090-4
Return - 1" STD, 2" Optional			
Outside Air - 1" ONLY			



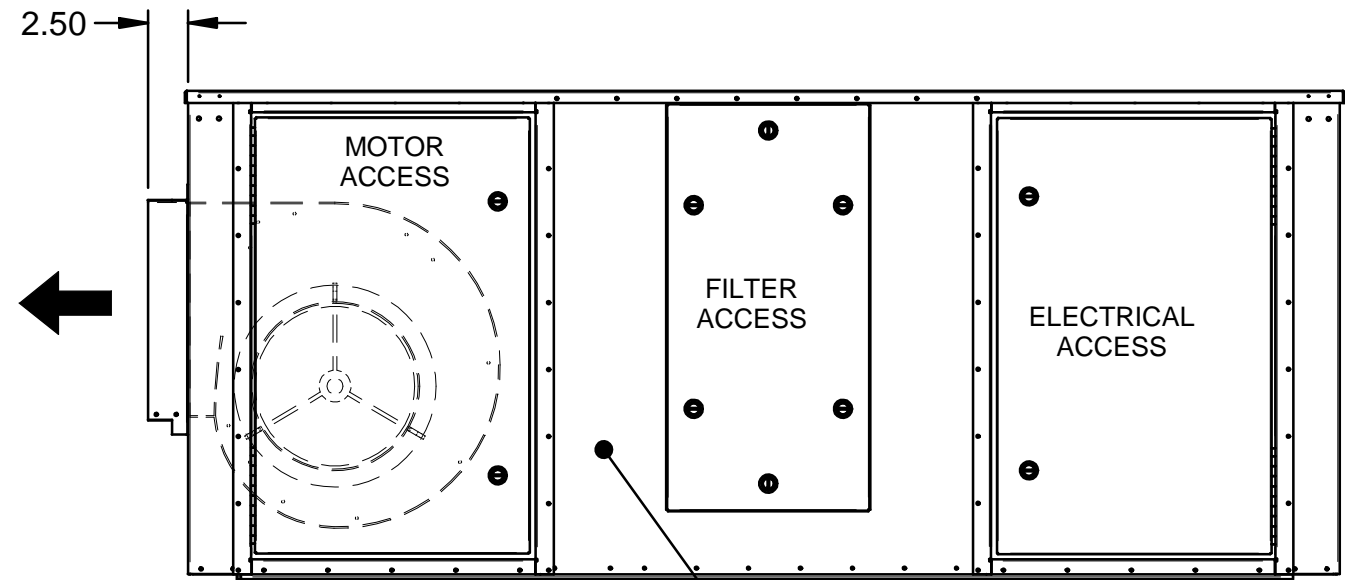
DIMENSIONS ARE IN 'INCHES'  
WEIGHTS ARE IN 'POUNDS'

POOLPAK INTERNATIONAL		YORK, PA	
DESCR: DIAGRAM, AWH/HCDH-1400/1800 (HORIZONTAL) R410A			
TITLE BLOCK FOR INTERNAL USE ONLY			1 OF 11
**ESTIMATED WEIGHTS**		UNIT(S) USED: AWH/HCDH-1400/1800	
	1400	1800	FILE: 5600006.dft
AWH	680	690	DR: dhenry
HCDH	650	660	CHK: DATE: 8/17/2009
			REV. B PART NO. 560-0006D

B

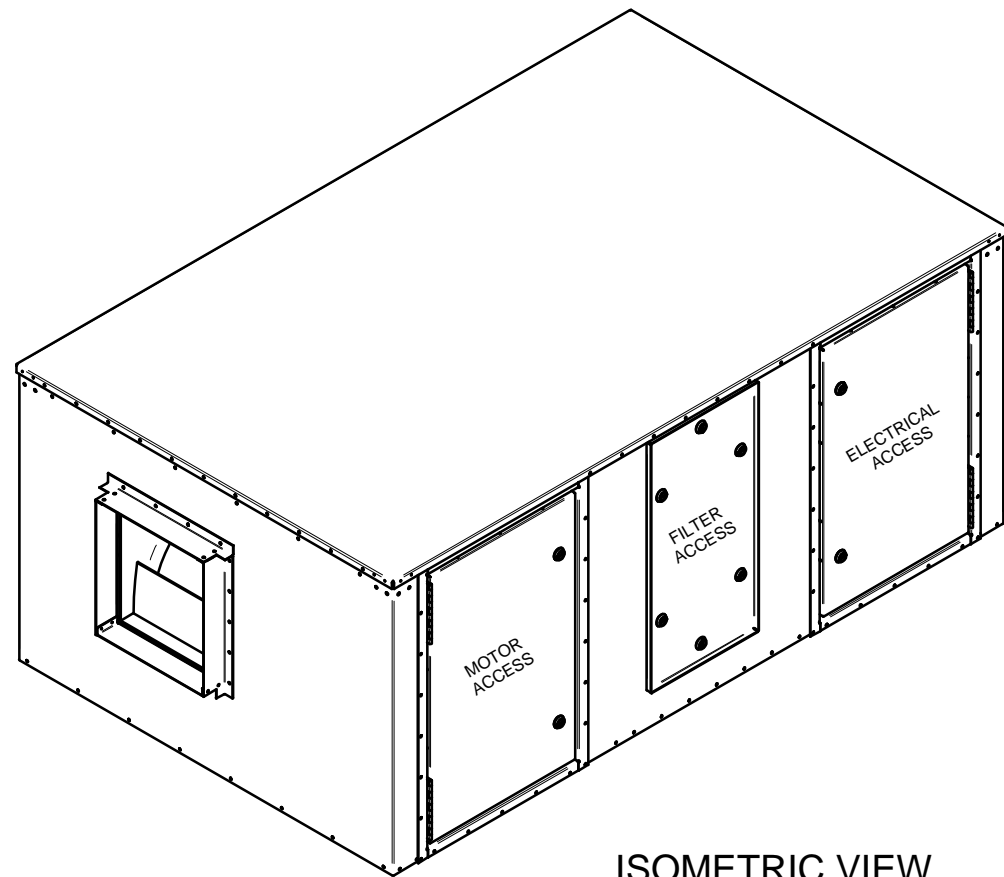


FRONT SUPPLY - (12X9 CW) - (SA-FC01)

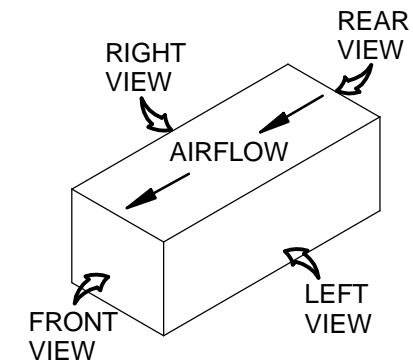


FRONT SUPPLY - (12X9 CW) - (SA-FC01)

PIPING CONNECTION PANEL:  
 1" MPT POOL WATER;  
 1" MPT WCC;  
 1/2" MPT CONDENSATE;  
 7/8" ODS-ACC VAPOR;  
 5/8" ODS-ACC LIQUID; &  
 1" MPT-1R HWC OR  
 1-1/4" MPT-2R HWC  
 (IF APPLICABLE).



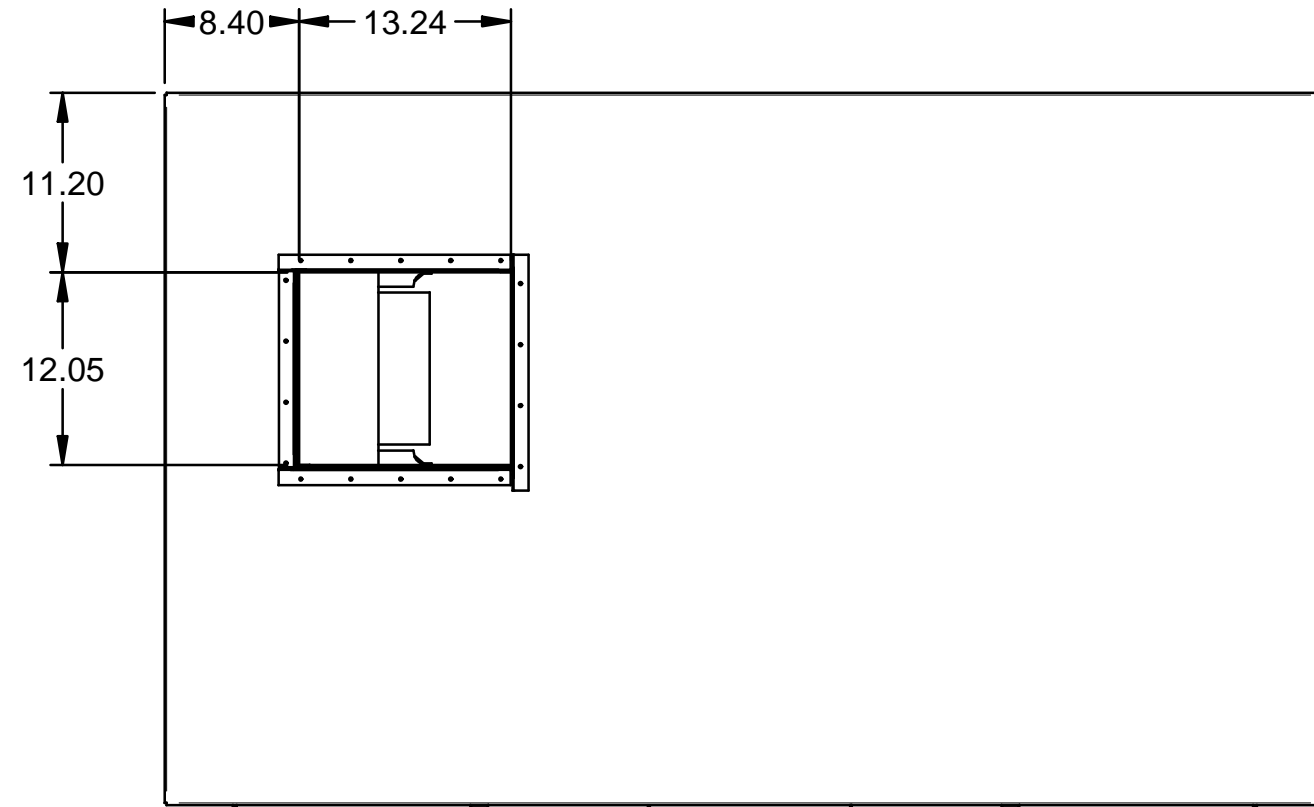
ISOMETRIC VIEW



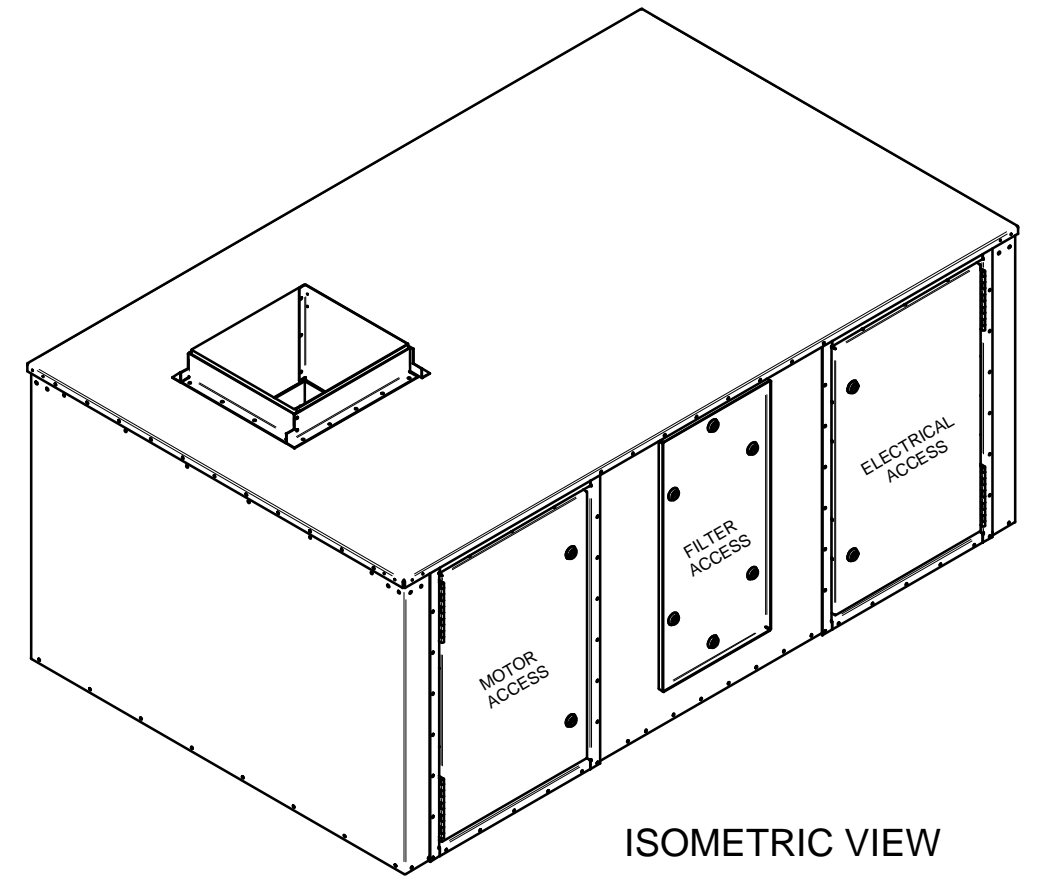
DIMENSIONS ARE IN 'INCHES'  
 WEIGHTS ARE IN 'POUNDS'

POOLPAK INTERNATIONAL YORK, PA			
DESCR: DIAGRAM, AWH/HCDH-1400/1800 (HORIZONTAL) R410A			
TITLE BLOCK FOR INTERNAL USE ONLY			2 OF 11
<b>**ESTIMATED WEIGHTS**</b>			
	1400	1800	
AWH	680	690	
HCDH	650	660	
UNIT(S) USED: AWH/HCDH-1400/1800		FILE: 5600006.dft	
DR: dhenry	CHK:	REV. B	PART NO. 560-0006D
DATE: 8/17/2009			

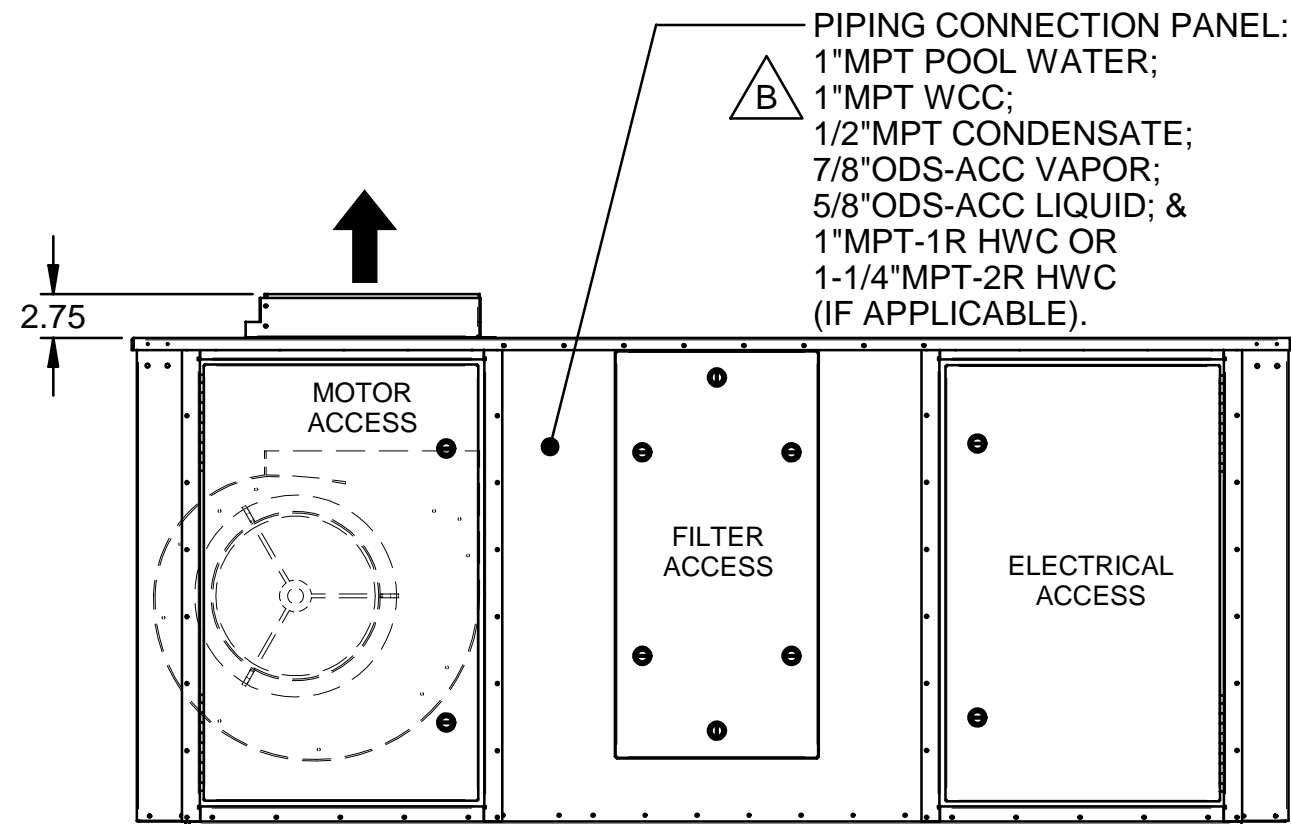
B



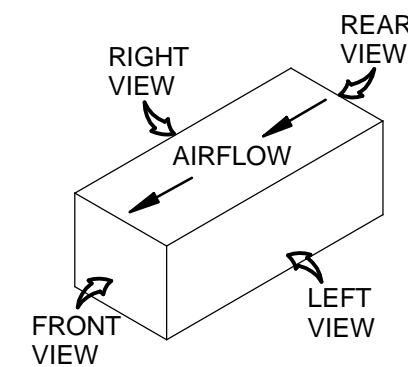
TOP SUPPLY - (12X9 CW) - (SA-TC07)



ISOMETRIC VIEW



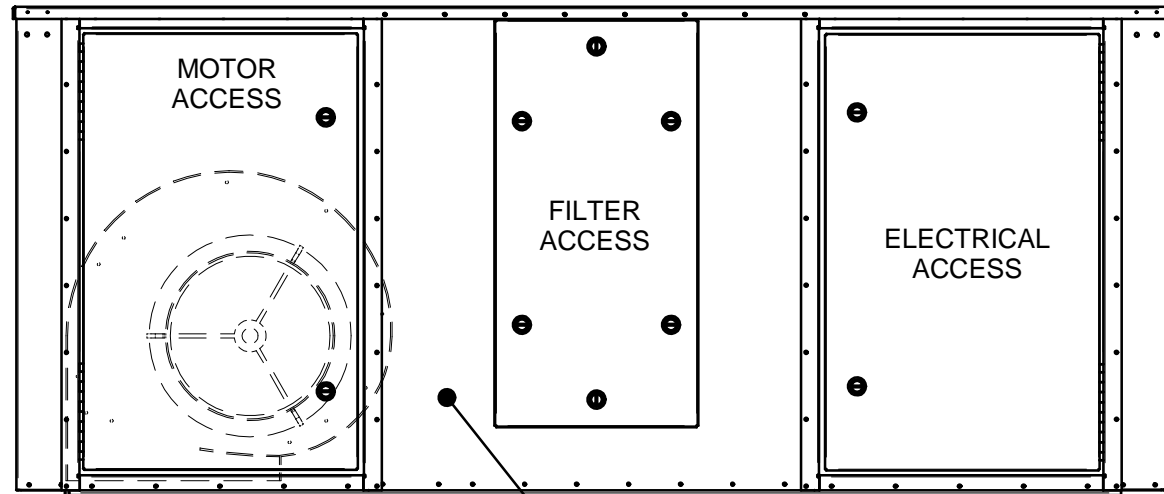
TOP SUPPLY - (12X9 CW) - (SA-TC07)



DIMENSIONS ARE IN 'INCHES'  
WEIGHTS ARE IN 'POUNDS'

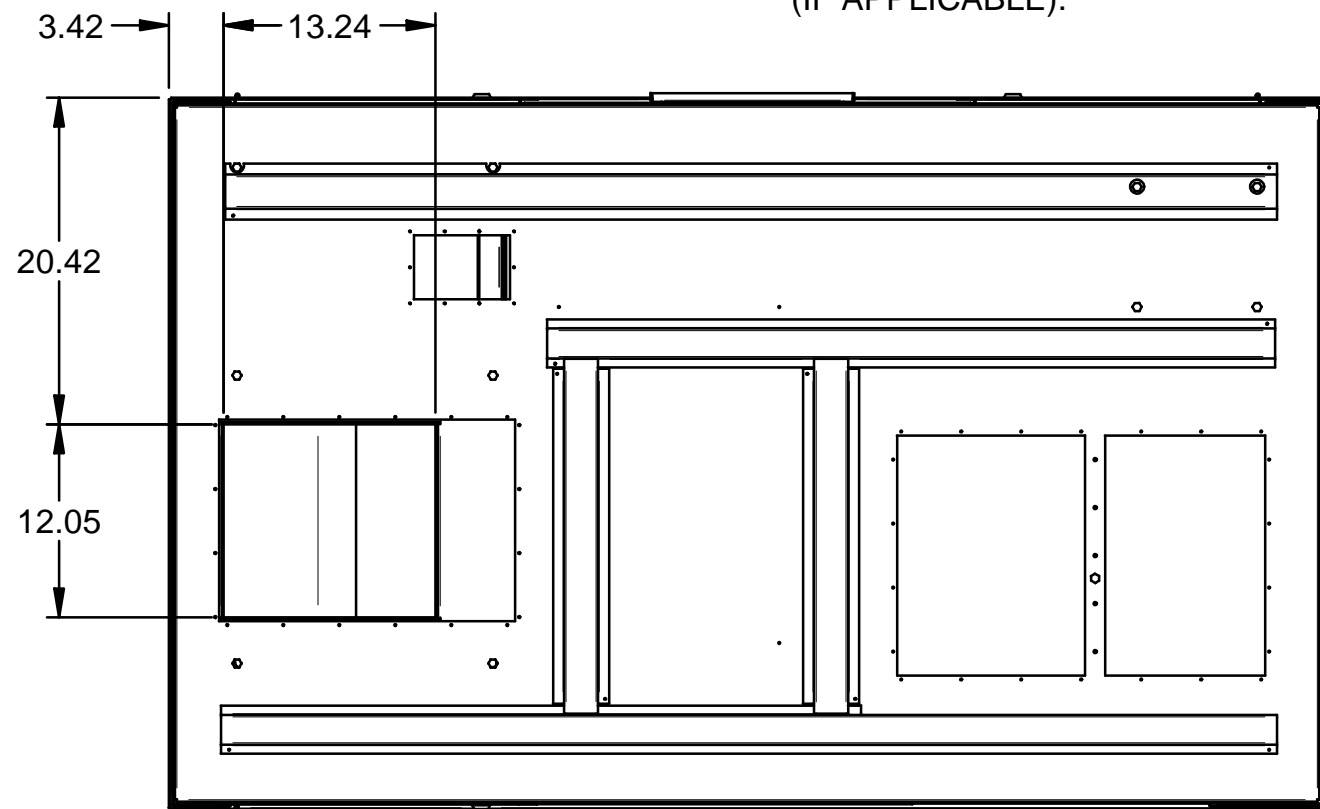
POOLPAK INTERNATIONAL YORK, PA			
DESCR: DIAGRAM, AWH/HCDH-1400/1800 (HORIZONTAL)			
R410A			
TITLE BLOCK FOR INTERNAL USE ONLY			3 OF 11
<b>**ESTIMATED WEIGHTS**</b>			
	1400	1800	
AWH	680	690	
HCDH	650	660	
UNIT(S) USED: AWH/HCDH-1400/1800		FILE: 5600006.dft	
DR: dhenry	CHK:	REV. B	PART NO. 560-0006D
DATE: 8/17/2009			

**B**

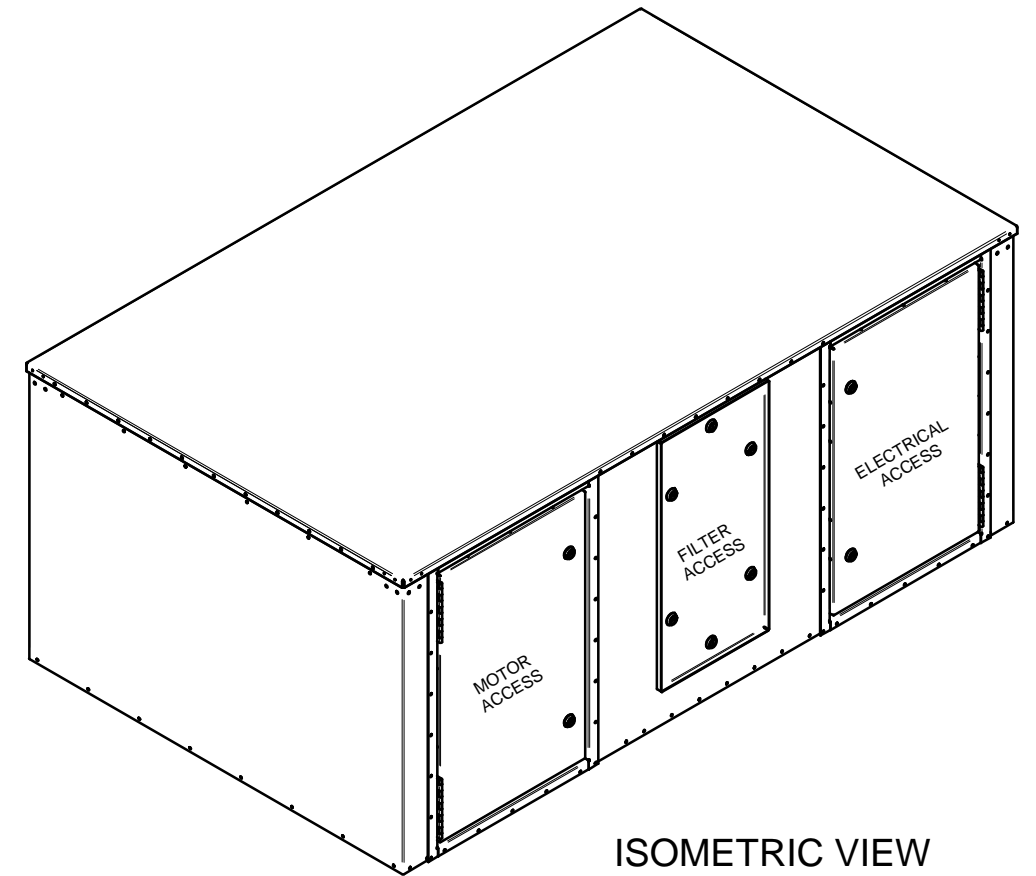


↓  
 BOTTOM SUPPLY - (12X9 CW) - (SA-BC03)

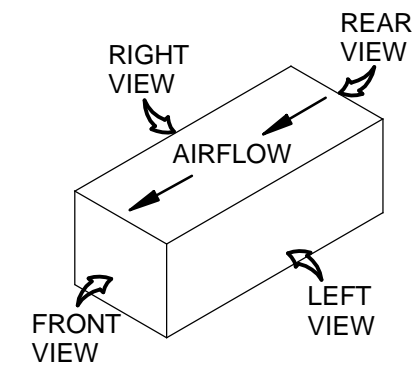
△ B PIPING CONNECTION PANEL:  
 1" MPT POOL WATER;  
 1" MPT WCC;  
 1/2" MPT CONDENSATE;  
 7/8" ODS-ACC VAPOR;  
 5/8" ODS-ACC LIQUID; &  
 1" MPT-1R HWC OR  
 1-1/4" MPT-2R HWC  
 (IF APPLICABLE).



BOTTOM SUPPLY - (12X9 CW) - (SA-BC03)



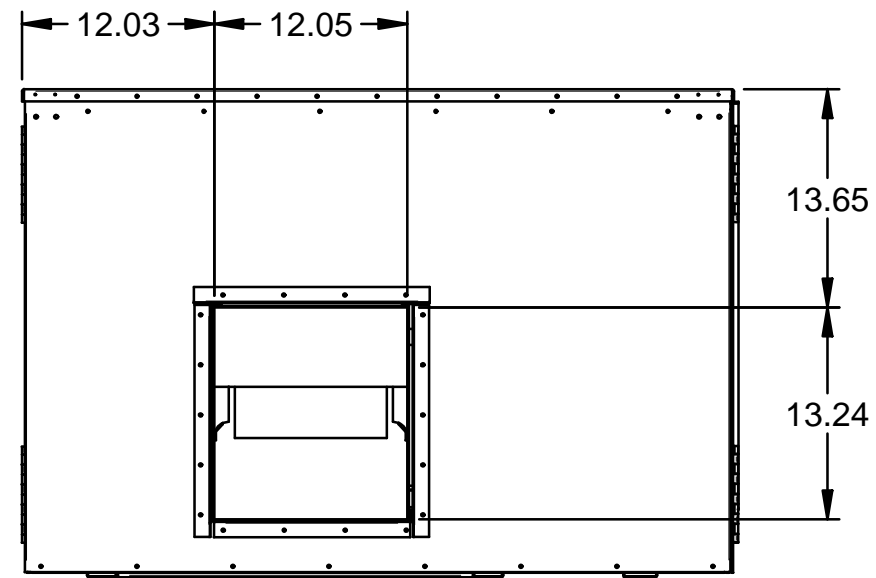
ISOMETRIC VIEW



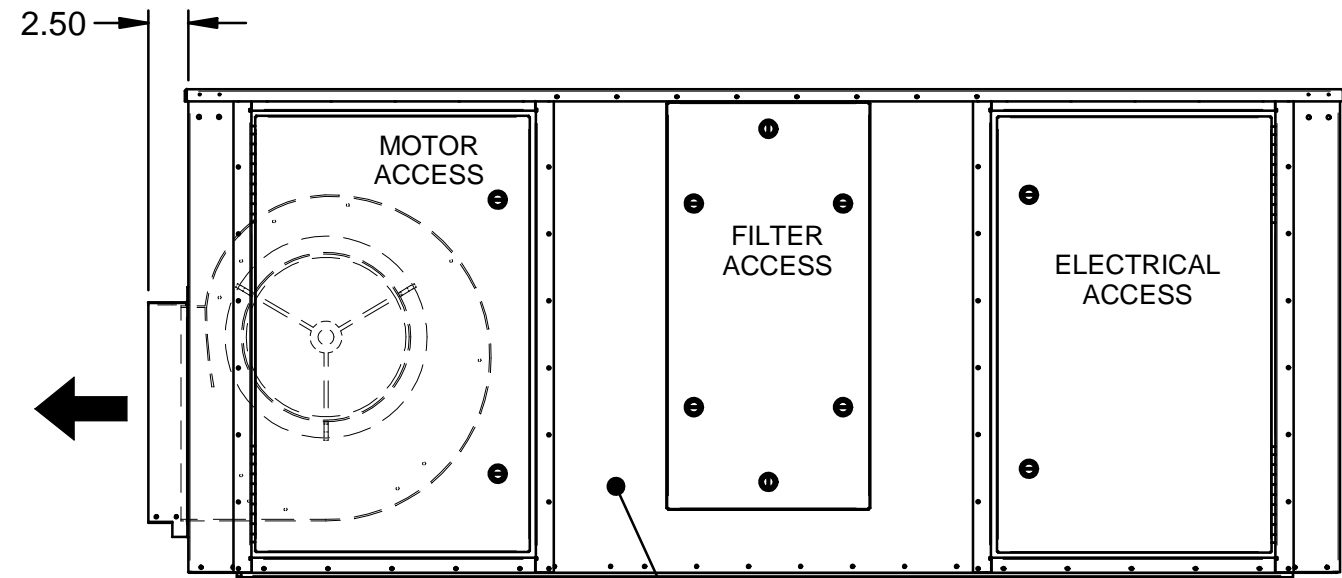
DIMENSIONS ARE IN 'INCHES'  
 WEIGHTS ARE IN 'POUNDS'

POOLPAK INTERNATIONAL				YORK, PA	
DESCR: DIAGRAM, AWH/HCDH-1400/1800 (HORIZONTAL) R410A					
TITLE BLOCK FOR INTERNAL USE ONLY					4 OF 11
<b>**ESTIMATED WEIGHTS**</b>					
	1400	1800			
AWH	680	690			
HCDH	650	660			
UNIT(S) USED: AWH/HCDH-1400/1800			FILE: 5600006.dft		
DR: dhenry	CHK:	REV. B	PART NO. 560-0006D		
DATE: 8/17/2009					

△ B

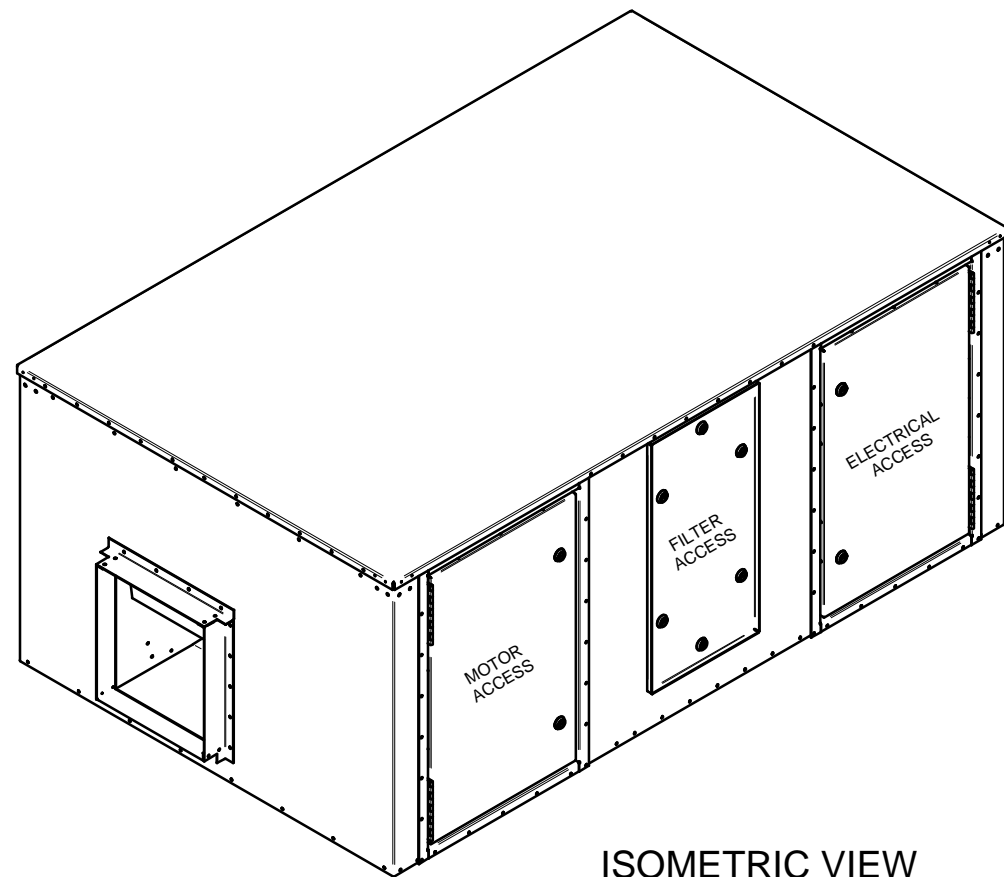


FRONT SUPPLY - (12X9 CCW) - (SA-FC02)

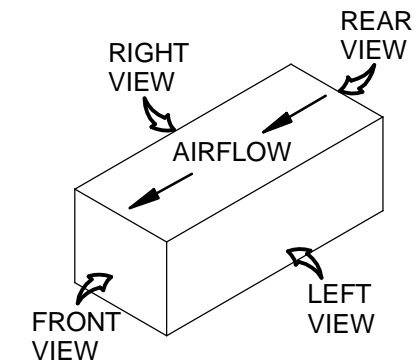


FRONT SUPPLY - (12X9 CCW) - (SA-FC02)

PIPING CONNECTION PANEL:  
 1" MPT POOL WATER;  
 1" MPT WCC;  
 1/2" MPT CONDENSATE;  
 7/8" ODS-ACC VAPOR;  
 5/8" ODS-ACC LIQUID; &  
 1" MPT-1R HWC OR  
 1-1/4" MPT-2R HWC  
 (IF APPLICABLE).



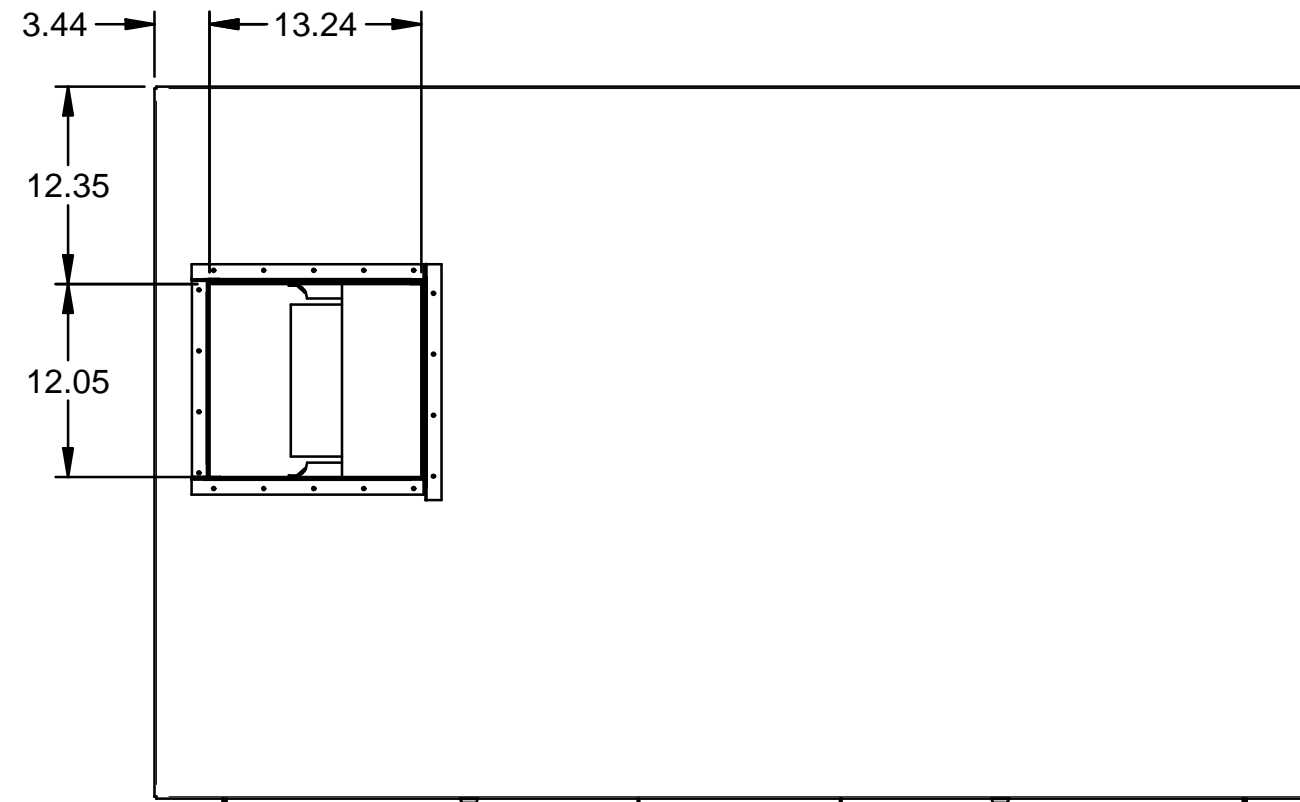
ISOMETRIC VIEW



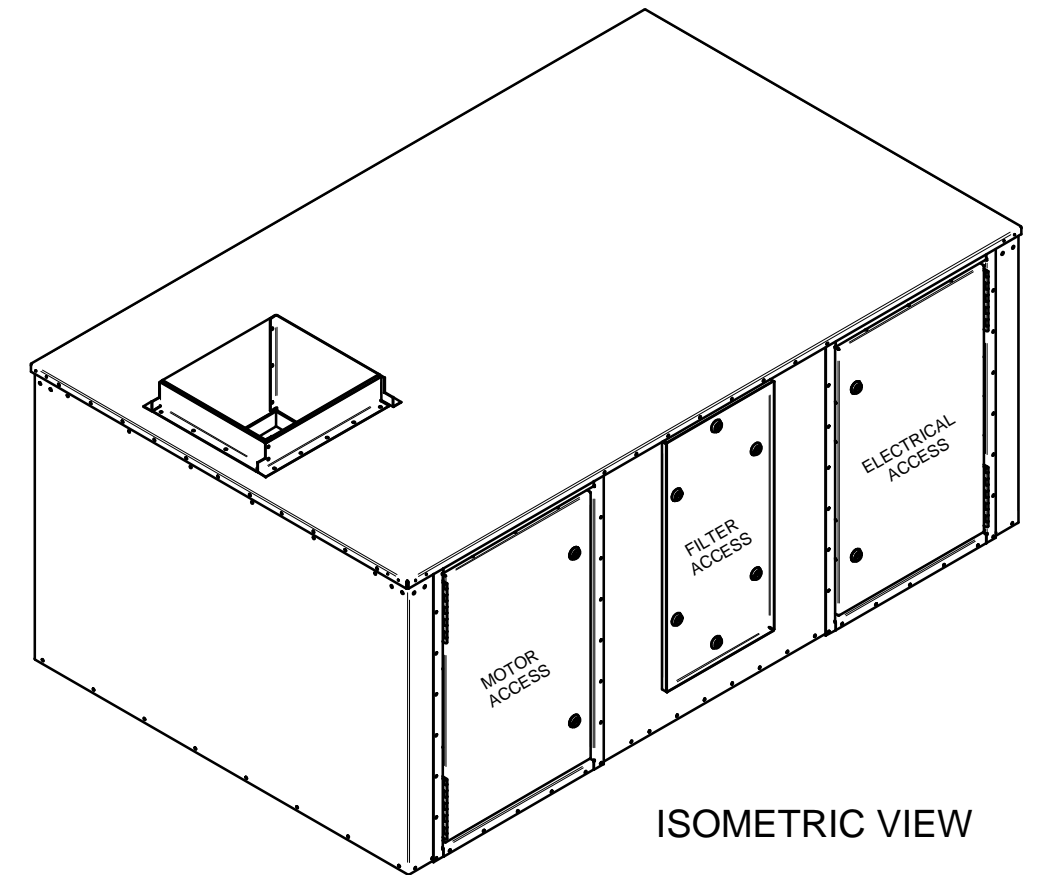
DIMENSIONS ARE IN 'INCHES'  
 WEIGHTS ARE IN 'POUNDS'

POOLPAK INTERNATIONAL YORK, PA			
DESCR: DIAGRAM, AWH/HCDH-1400/1800 (HORIZONTAL) R410A			
TITLE BLOCK FOR INTERNAL USE ONLY			5 OF 11
<b>**ESTIMATED WEIGHTS**</b>			
	1400	1800	
AWH	680	690	
HCDH	650	660	
UNIT(S) USED: AWH/HCDH-1400/1800		FILE: 5600006.dft	
DR: dhenry	CHK:	REV. B	PART NO. 560-0006D
DATE: 8/17/2009			

B

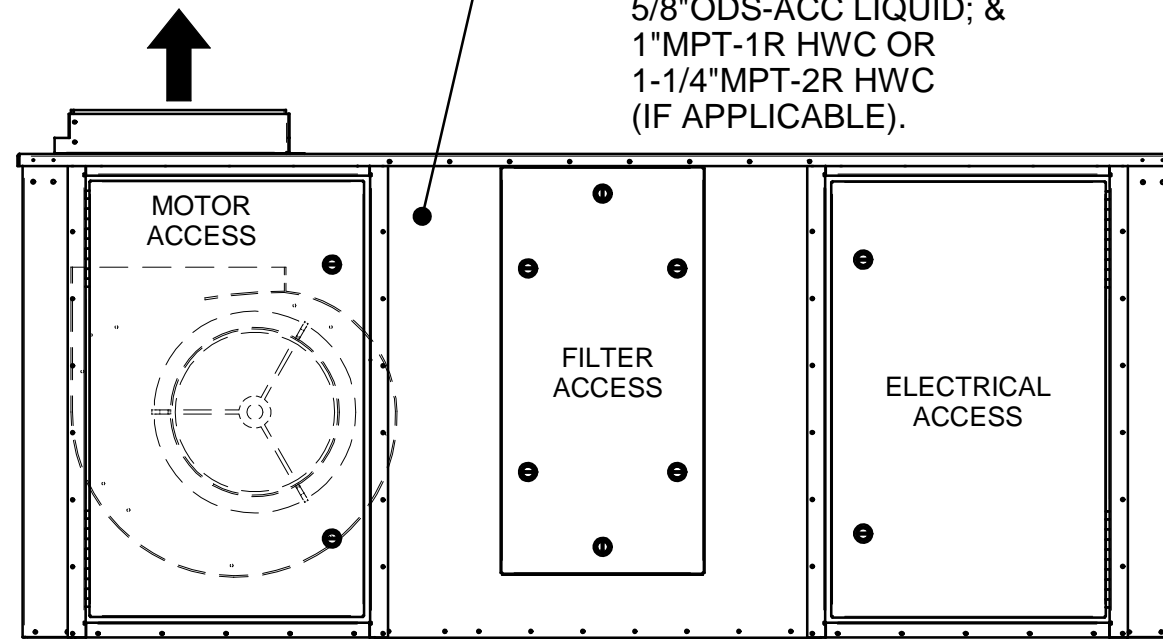


TOP SUPPLY - (12X9 CCW) - (SA-TC08)

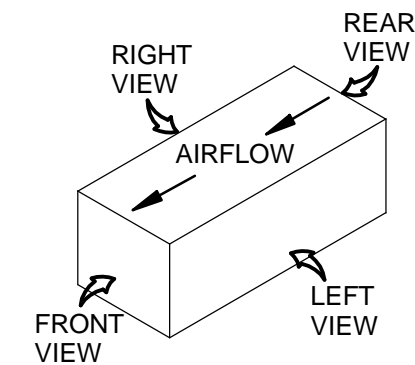


ISOMETRIC VIEW

**PIPING CONNECTION PANEL:**  
 1" MPT POOL WATER;  
 1" MPT WCC;  
 1/2" MPT CONDENSATE;  
 7/8" ODS-ACC VAPOR;  
 5/8" ODS-ACC LIQUID; &  
 1" MPT-1R HWC OR  
 1-1/4" MPT-2R HWC  
 (IF APPLICABLE).



TOP SUPPLY - (12X9 CCW) - (SA-TC08)

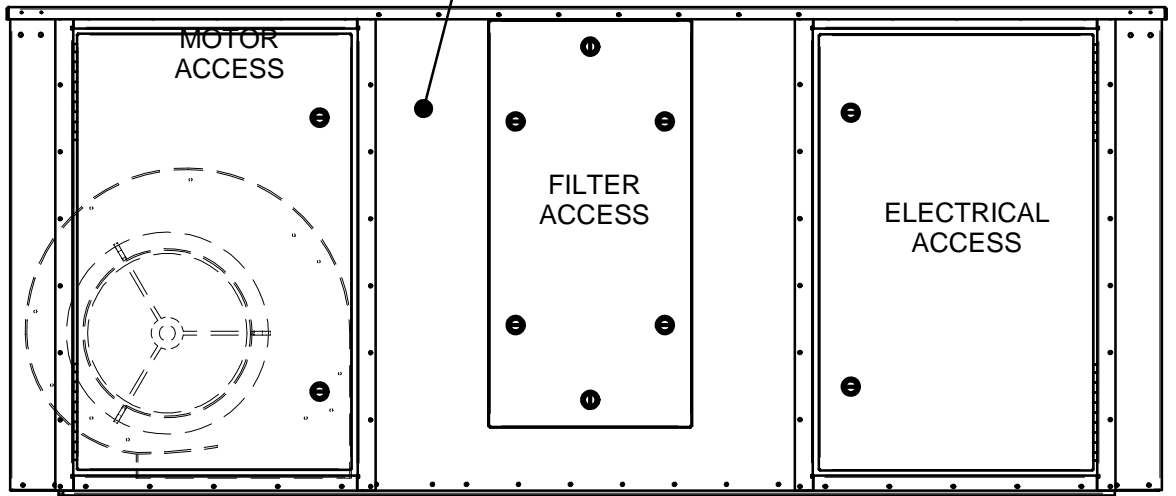


DIMENSIONS ARE IN 'INCHES'  
 WEIGHTS ARE IN 'POUNDS'

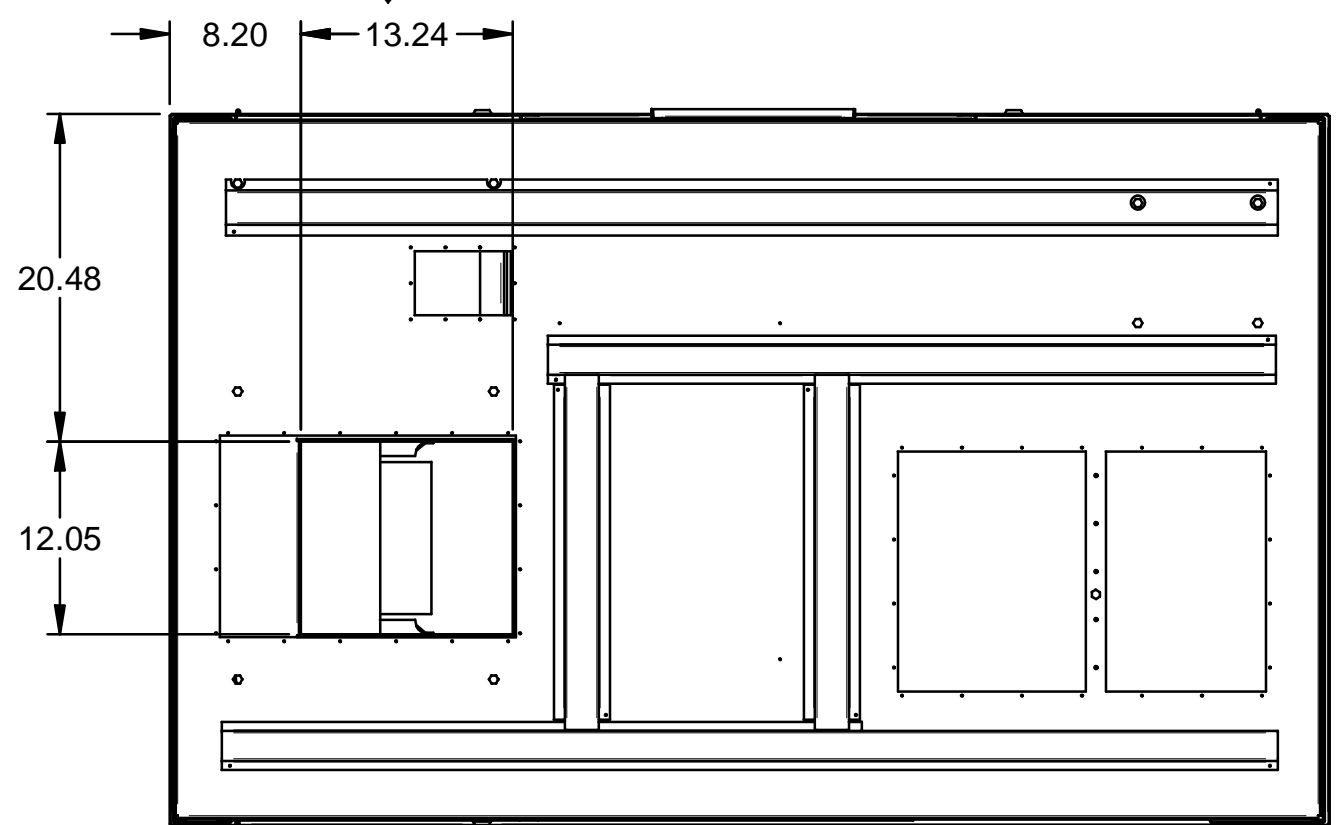
POOLPAK INTERNATIONAL YORK, PA			
DESCR: DIAGRAM, AWH/HCDH-1400/1800 (HORIZONTAL)			
R410A			
TITLE BLOCK FOR INTERNAL USE ONLY			6 OF 11
<b>**ESTIMATED WEIGHTS**</b>			
	1400	1800	
AWH	680	690	
HCDH	650	660	
UNIT(S) USED: AWH/HCDH-1400/1800		FILE: 5600006.dft	
DR: dhenry	CHK:	REV. B	PART NO. 560-0006D
DATE: 8/17/2009			

**B**

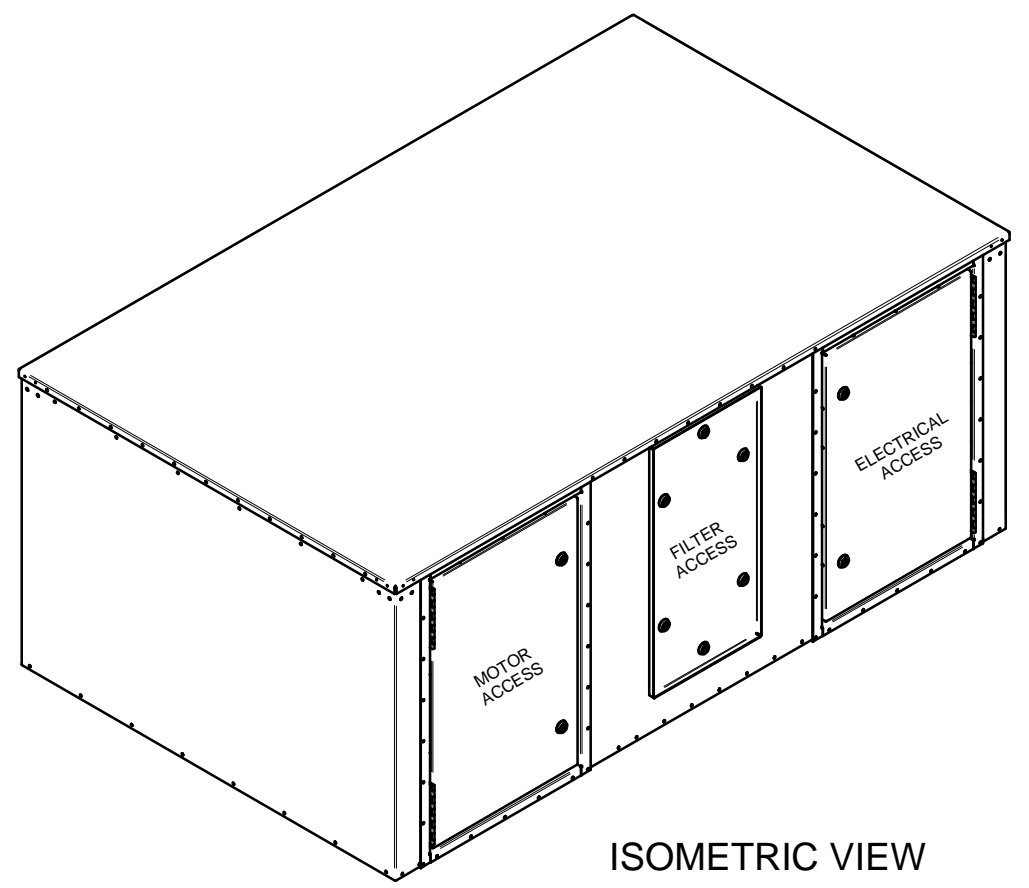
PIPING CONNECTION PANEL:  
 1" MPT POOL WATER;  
 1" MPT WCC;  
 1/2" MPT CONDENSATE;  
 7/8" ODS-ACC VAPOR;  
 5/8" ODS-ACC LIQUID; &  
 1" MPT-1R HWC OR  
 1-1/4" MPT-2R HWC  
 (IF APPLICABLE).



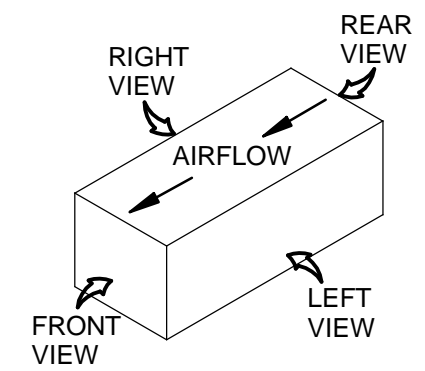
BOTTOM SUPPLY - (12X9 CCW) - (SA-BC04)



BOTTOM SUPPLY - (12X9 CCW) - (SA-BC04)



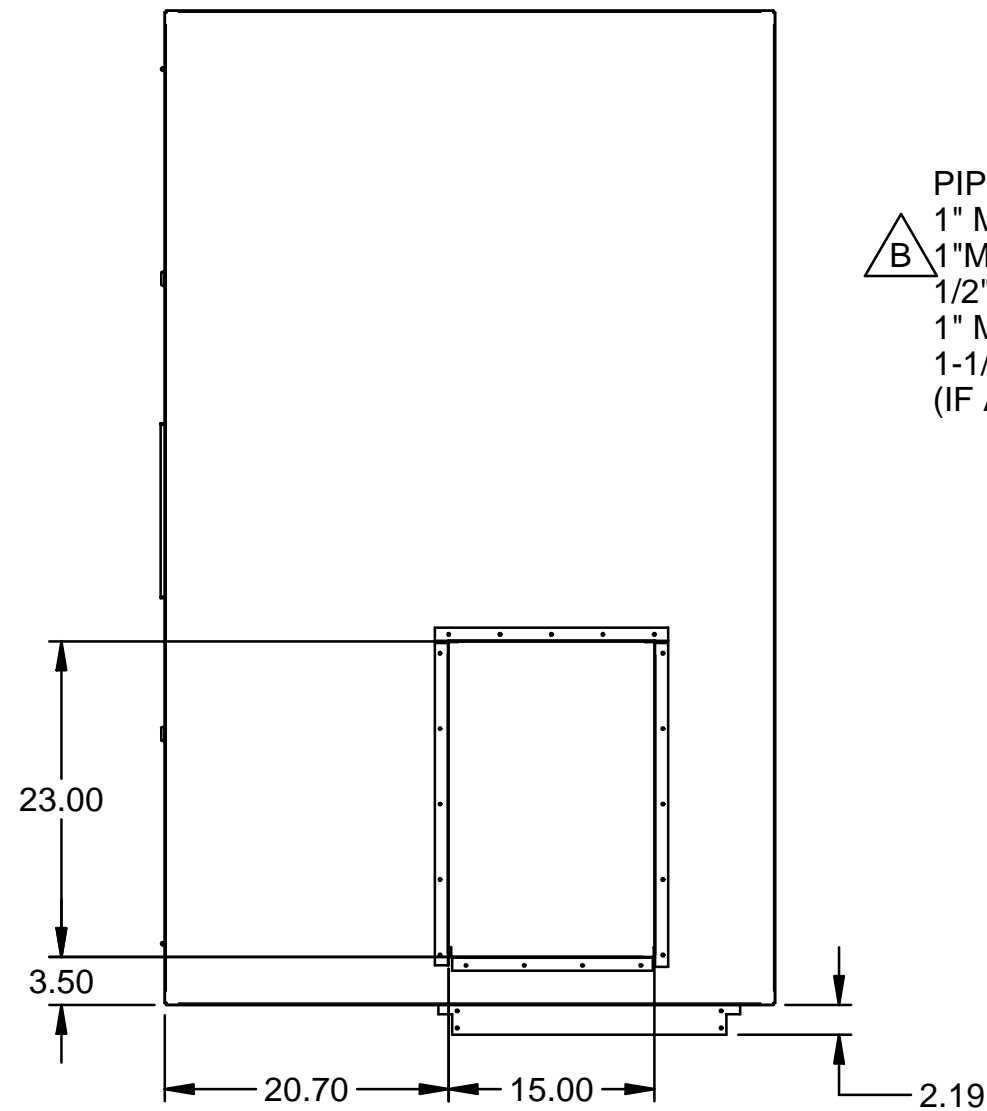
ISOMETRIC VIEW



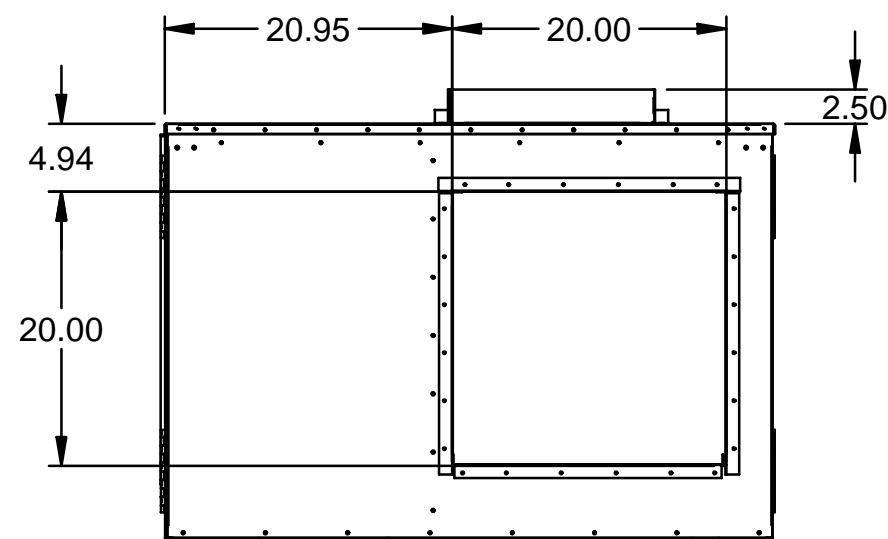
DIMENSIONS ARE IN 'INCHES'  
 WEIGHTS ARE IN 'POUNDS'

POOLPAK INTERNATIONAL				YORK, PA	
DESCR: DIAGRAM, AWH/HCDH-1400/1800 (HORIZONTAL) R410A					
TITLE BLOCK FOR INTERNAL USE ONLY				7 OF 11	
<b>**ESTIMATED WEIGHTS**</b>					
	1400	1800			
AWH	680	690			
HCDH	650	660			
UNIT(S) USED: AWH/HCDH-1400/1800			FILE: 5600006.dft		
DR: dhenry	CHK:	REV. B	PART NO. 560-0006D		
DATE: 8/17/2009					

B

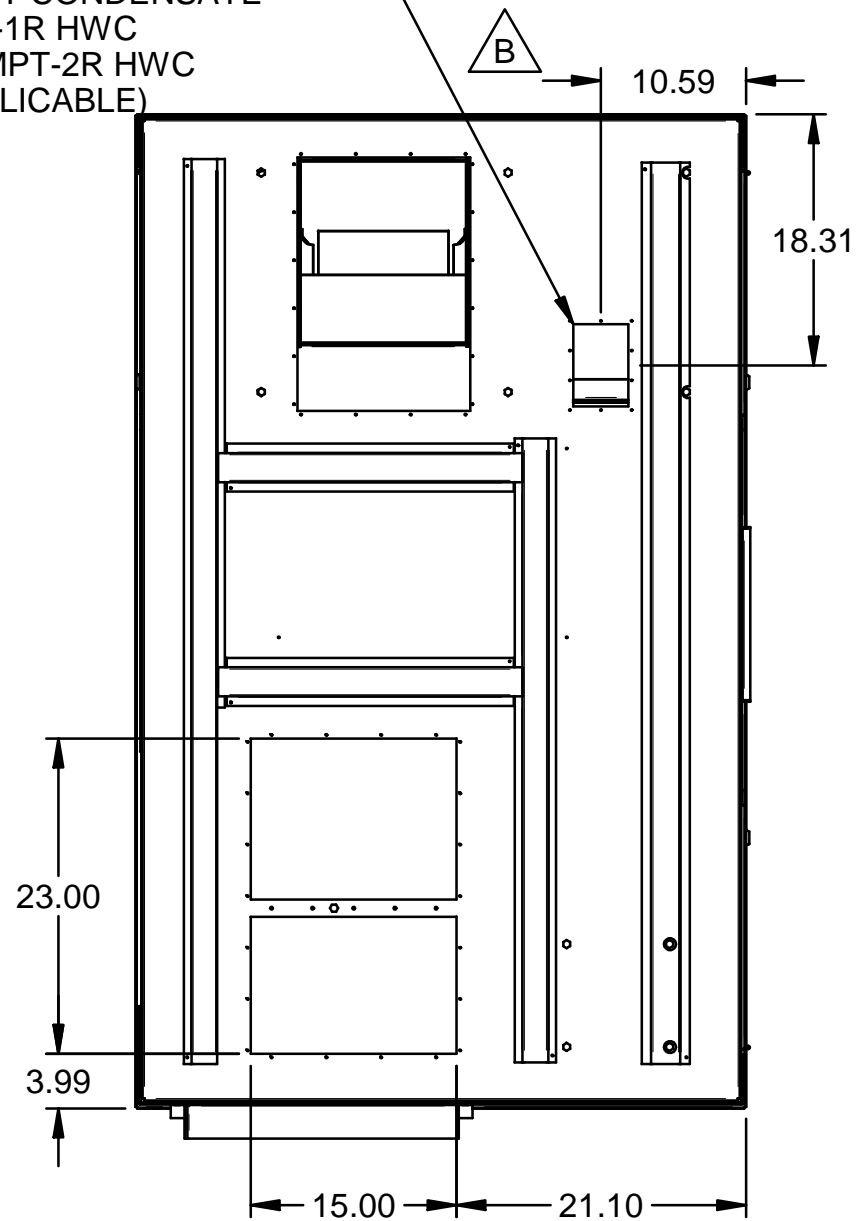


TOP RETURN - (RA-TR)

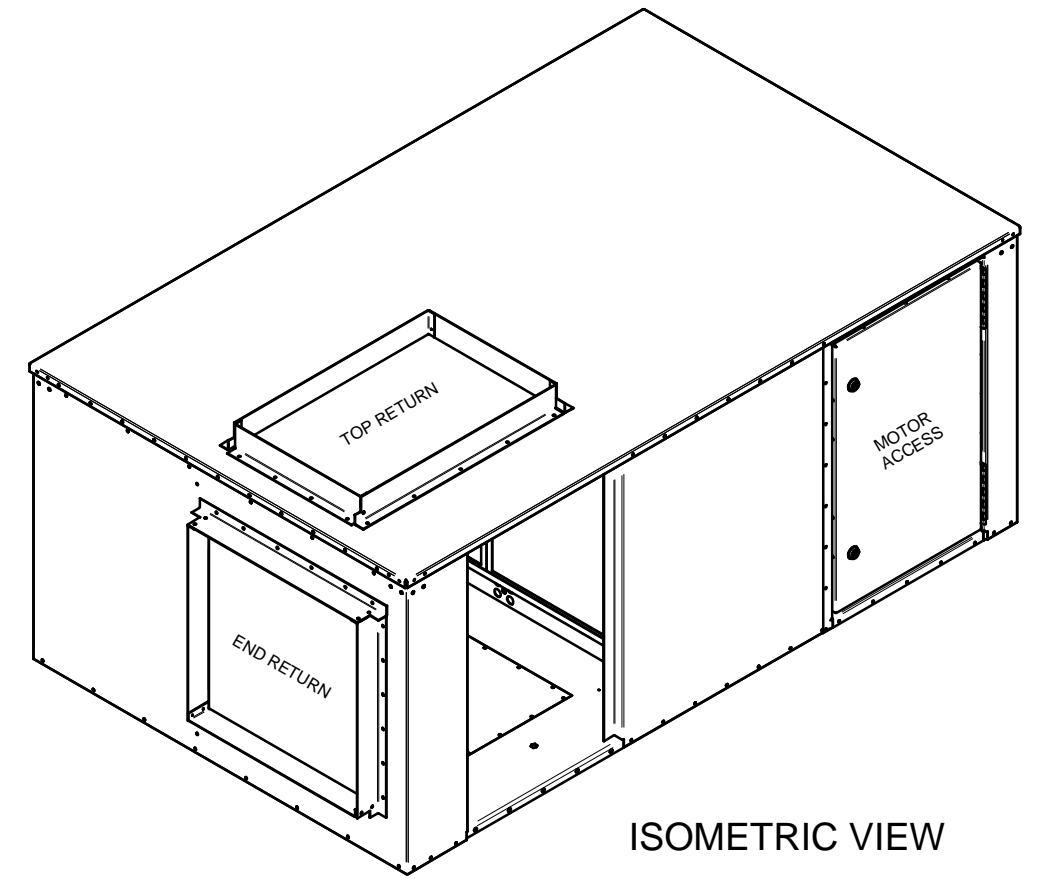


END RETURN - (RA-KR)

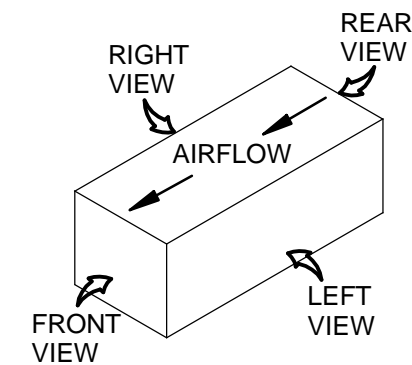
PIPING THRU BASE:  
 1" MPT POOL WATER  
 1" MPT WCC  
 1/2" MPT CONDENSATE  
 1" MPT-1R HWC  
 1-1/4" MPT-2R HWC  
 (IF APPLICABLE)



BOTTOM RETURN - (RA-BR)



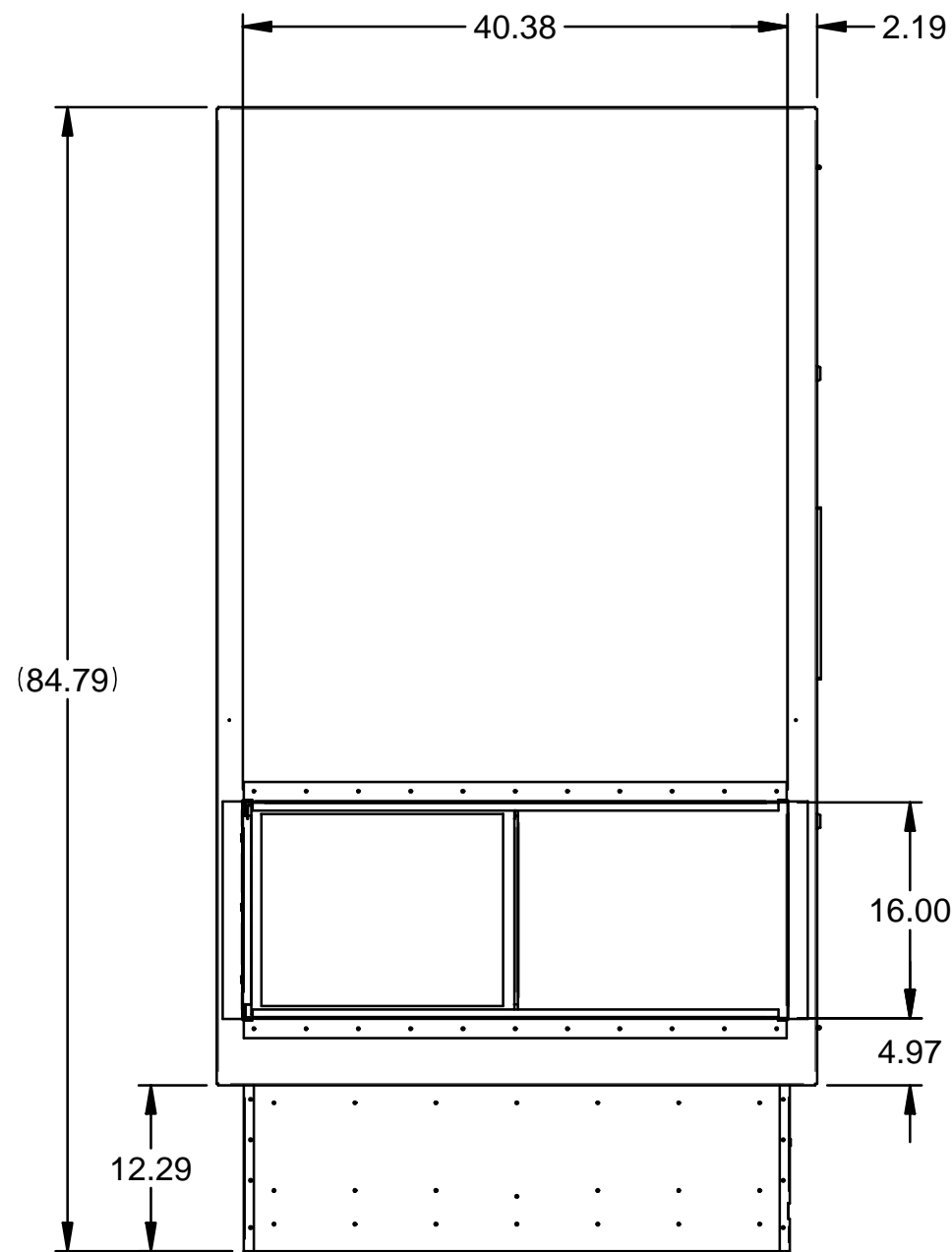
ISOMETRIC VIEW



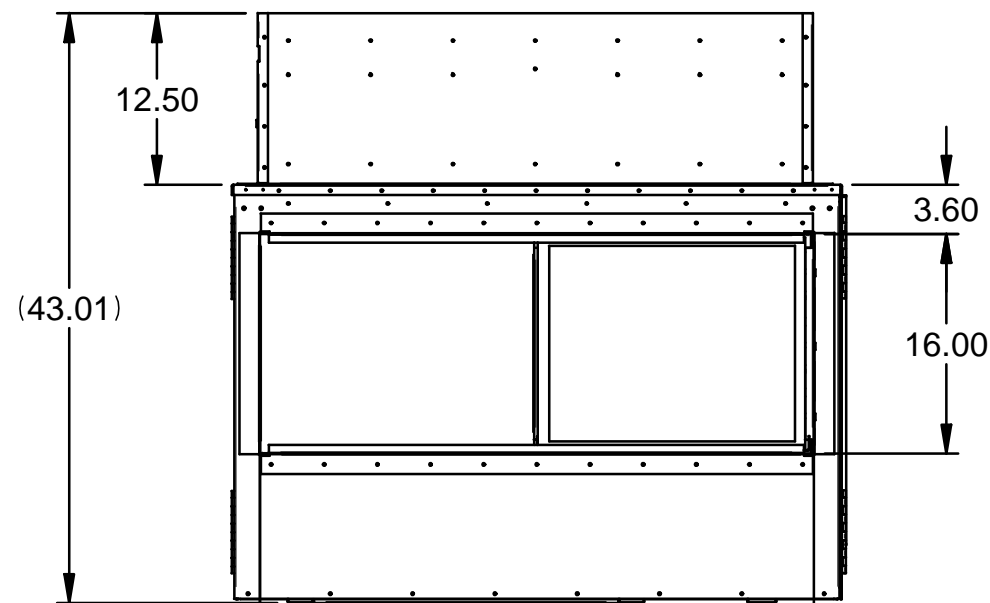
DIMENSIONS ARE IN 'INCHES'  
 WEIGHTS ARE IN 'POUNDS'

POOLPAK INTERNATIONAL YORK, PA			
DESCR: DIAGRAM, AWH/HCDH-1400/1800 (HORIZONTAL)			
R410A			
TITLE BLOCK FOR INTERNAL USE ONLY			8 OF 11
<b>**ESTIMATED WEIGHTS**</b>			
	1400	1800	
AWH	680	690	
HCDH	650	660	
UNIT(S) USED: AWH/HCDH-1400/1800		FILE: 5600006.dft	
DR: dhenry	CHK:	REV. B	PART NO. 560-0006D
DATE: 8/17/2009			

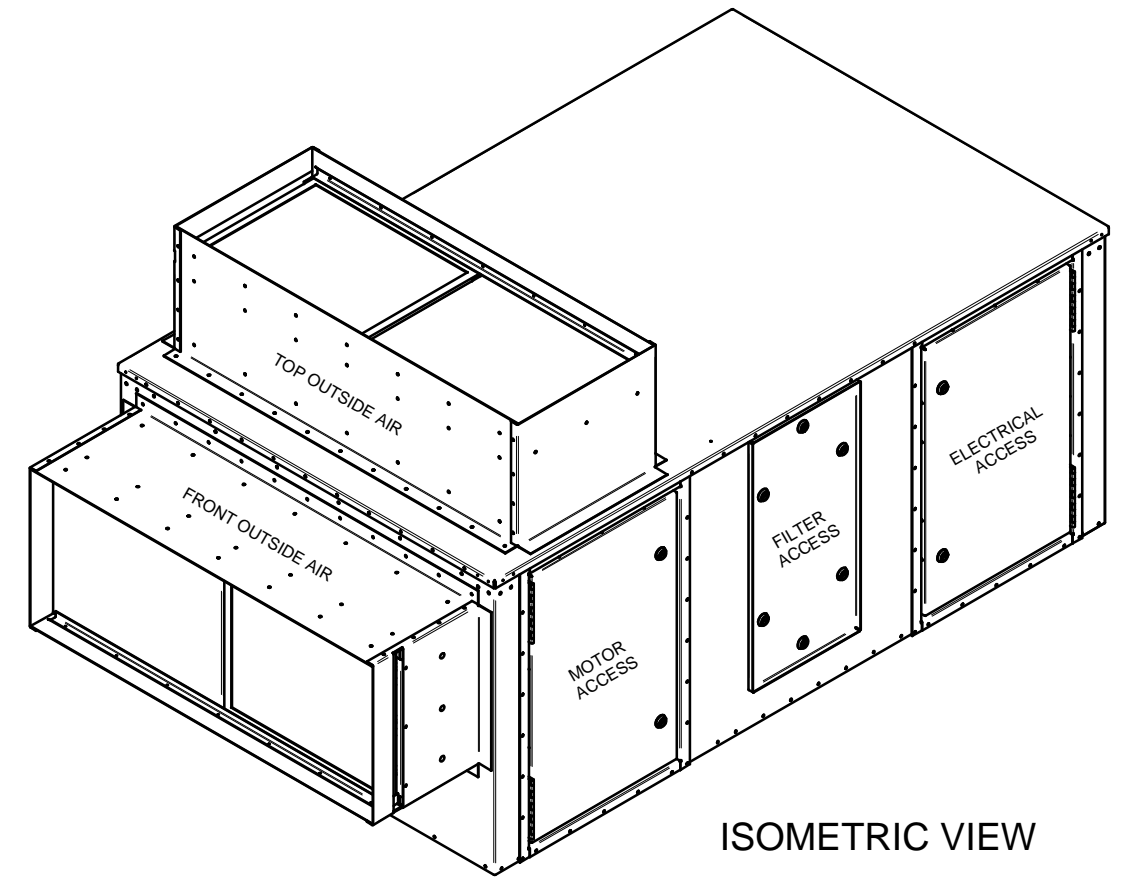




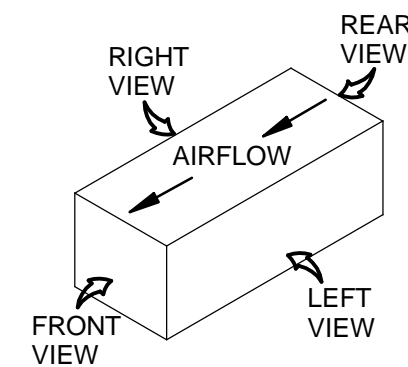
TOP OUTSIDE AIR - (OA-TC)



FRONT OUTSIDE AIR - (OA-FC)



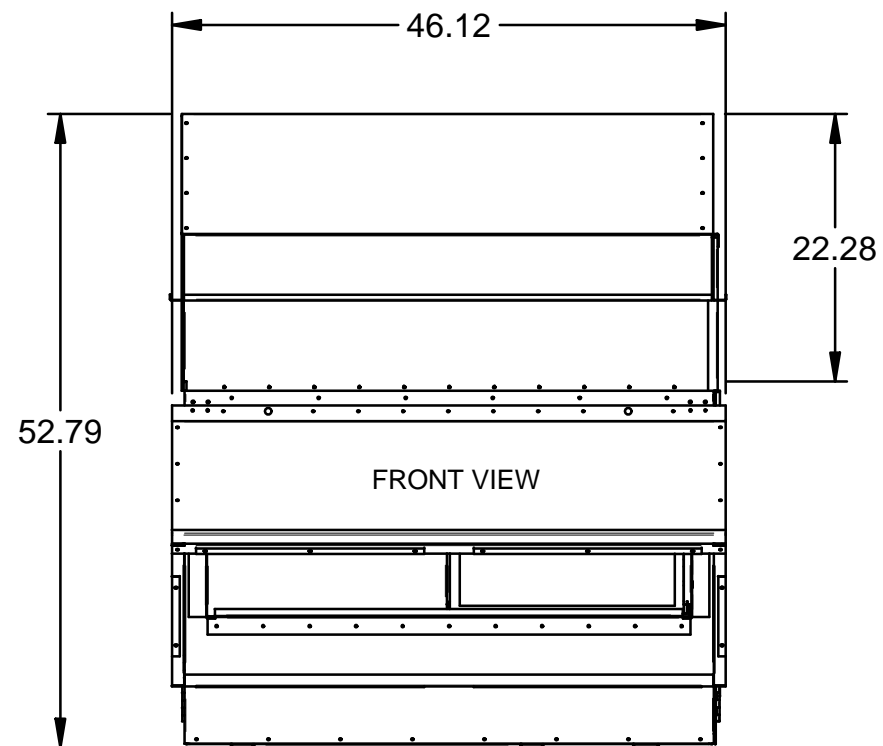
ISOMETRIC VIEW



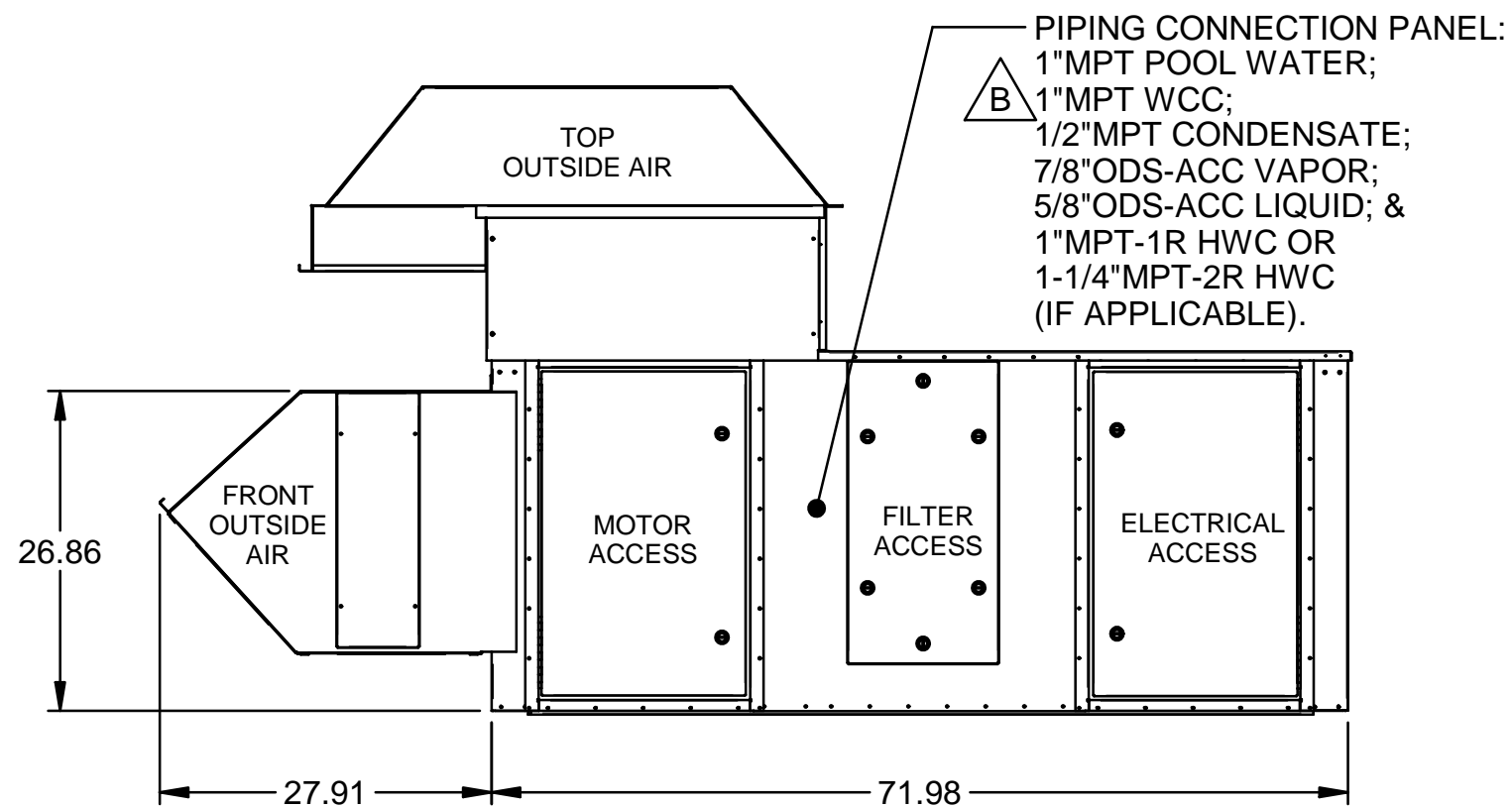
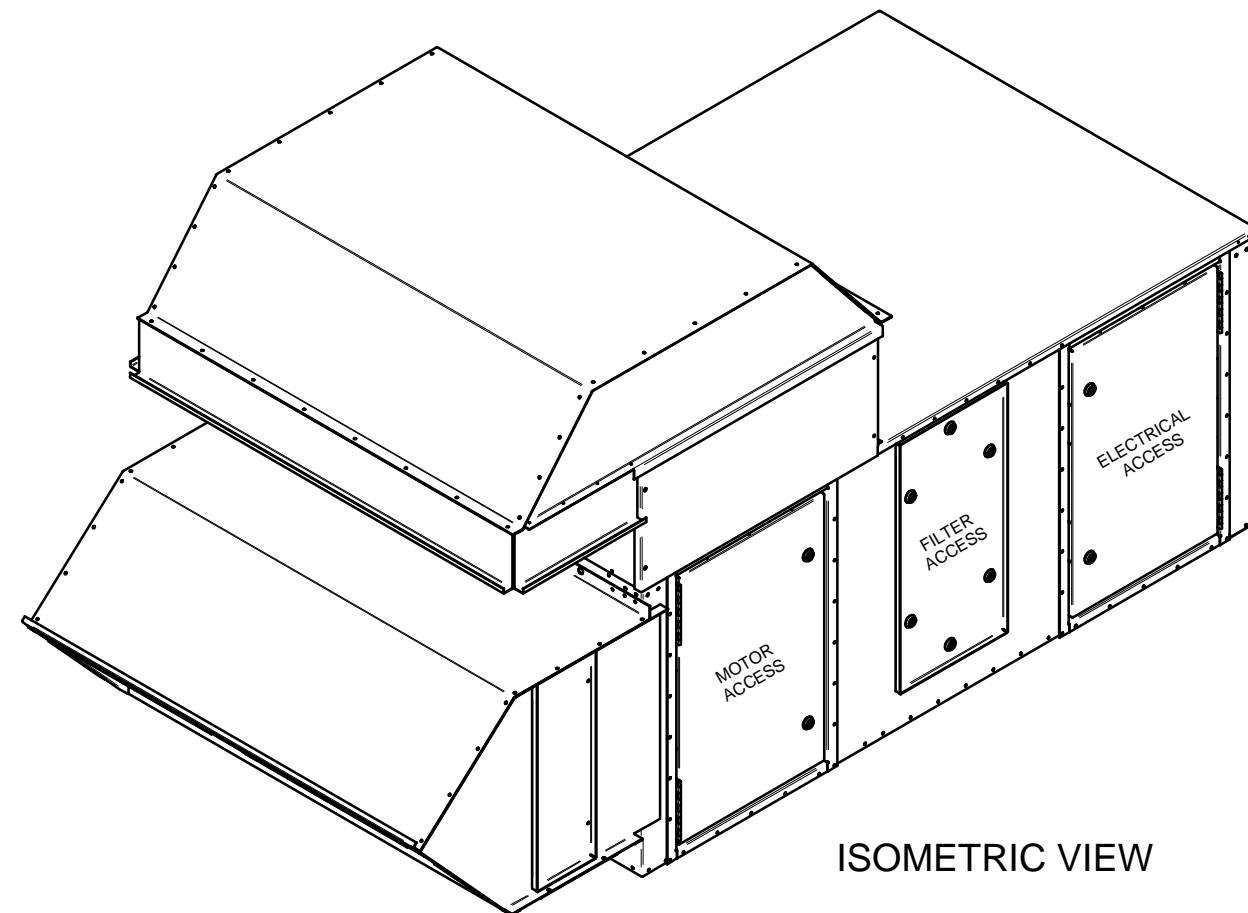
DIMENSIONS ARE IN 'INCHES'  
WEIGHTS ARE IN 'POUNDS'

POOLPAK INTERNATIONAL YORK, PA			
DESCR: DIAGRAM, AWH/HCDH-1400/1800 (HORIZONTAL) R410A			
TITLE BLOCK FOR INTERNAL USE ONLY			9 OF 11
<b>**ESTIMATED WEIGHTS**</b>			
	1400	1800	
AWH	680	690	
HCDH	650	660	
UNIT(S) USED: AWH/HCDH-1400/1800		FILE: 5600006.dft	
DR: dhenry	CHK:	REV. B	PART NO. 560-0006D
DATE: 8/17/2009			

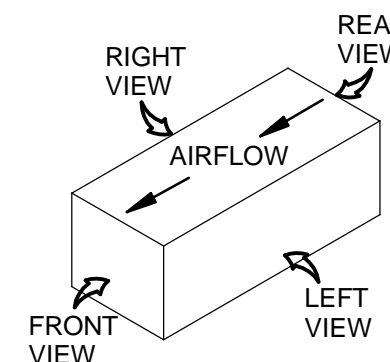




OUTSIDE AIR W/ RAINHOOD - TOP OA (OA-TC) - FRONT OA (OA-FC)



OUTSIDE AIR W/ RAINHOOD - TOP OA (OA-TC) - FRONT OA (OA-FC)



DIMENSIONS ARE IN 'INCHES'  
WEIGHTS ARE IN 'POUNDS'

POOLPAK INTERNATIONAL			YORK, PA
DESCR: DIAGRAM, AWH/HCDH-1400/1800 (HORIZONTAL) R410A			
TITLE BLOCK FOR INTERNAL USE ONLY			10 OF 11
<b>**ESTIMATED WEIGHTS**</b>			
	1400	1800	
AWH	680	690	
HCDH	650	660	
UNIT(S) USED: AWH/HCDH-1400/1800		FILE: 5600006.dft	
DR: dhenry	CHK:	REV. B	PART NO. 560-0006D
DATE: 8/17/2009			

B