

POOLPAK

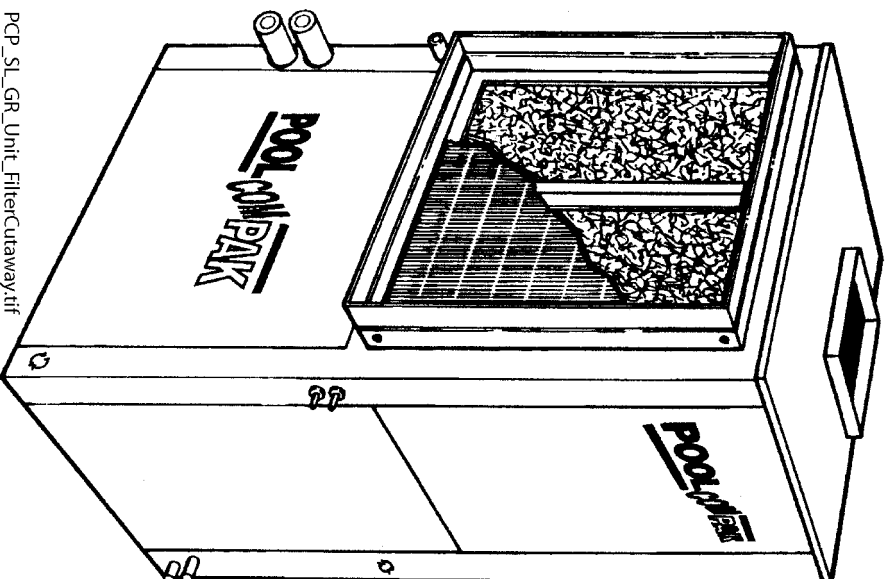


PoolComPak

Series AWW/HCDV 0550/0800/1200

Dimensional Drawings

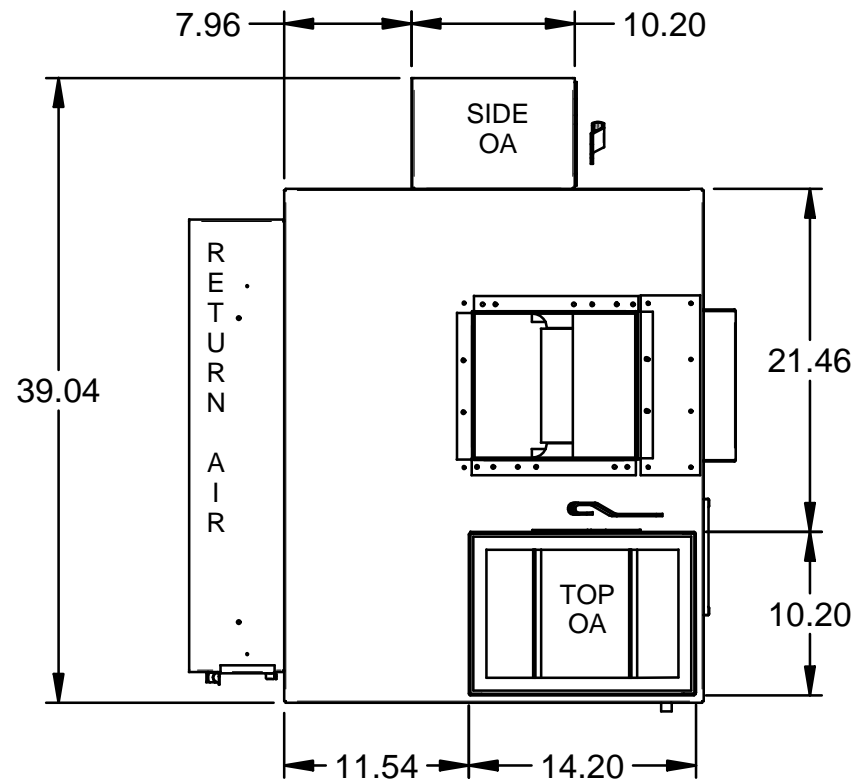
Packaged Natatorium Environment Control System



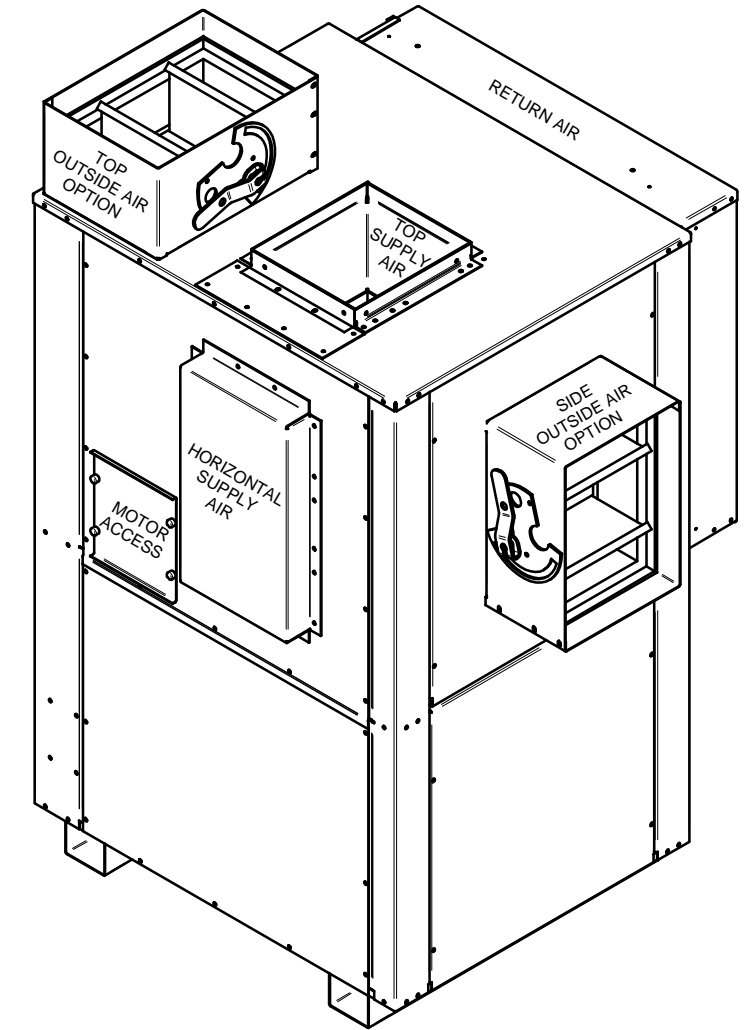
POOL ComPAK

PoolComPak™ Series (PCP)

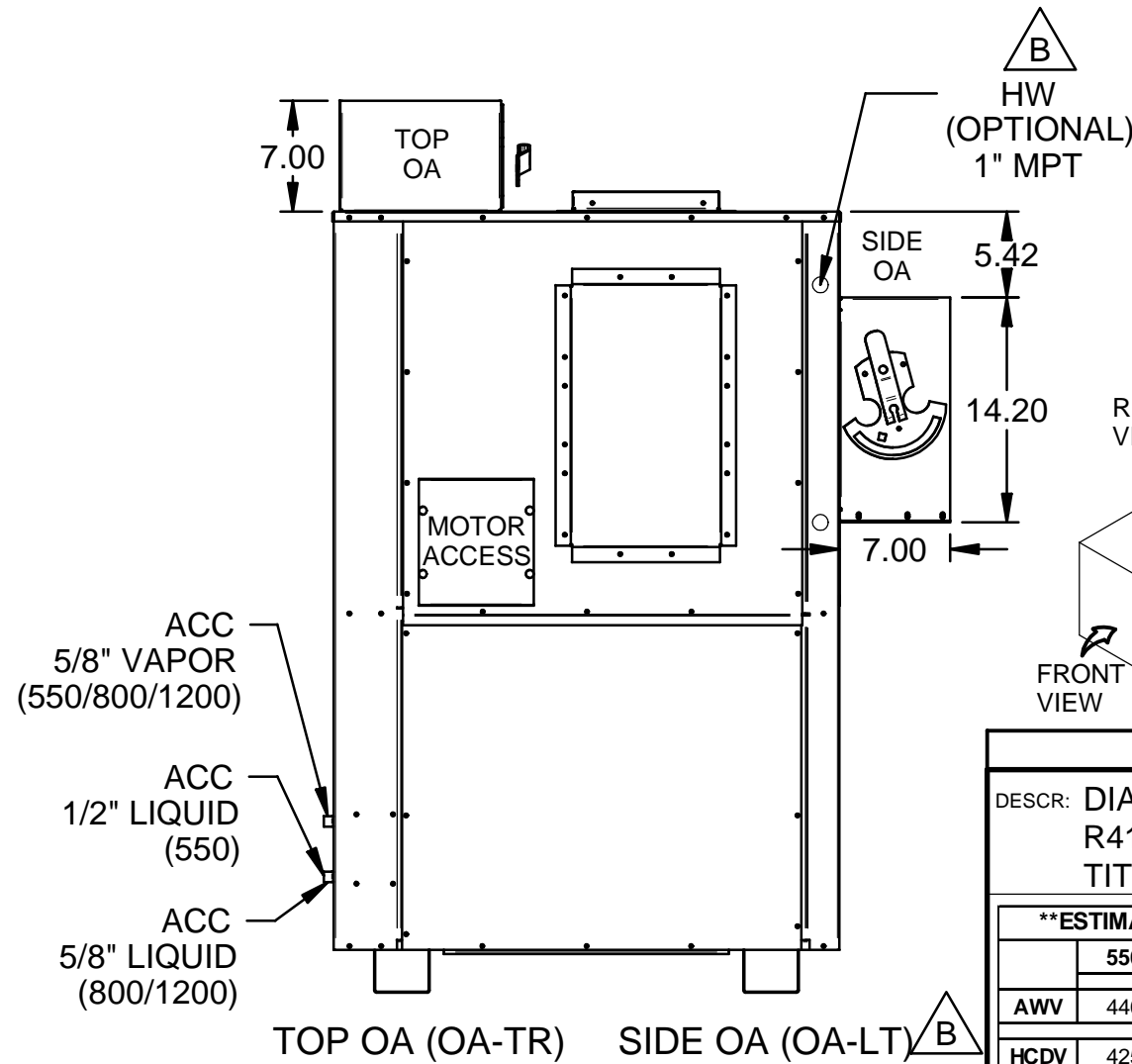
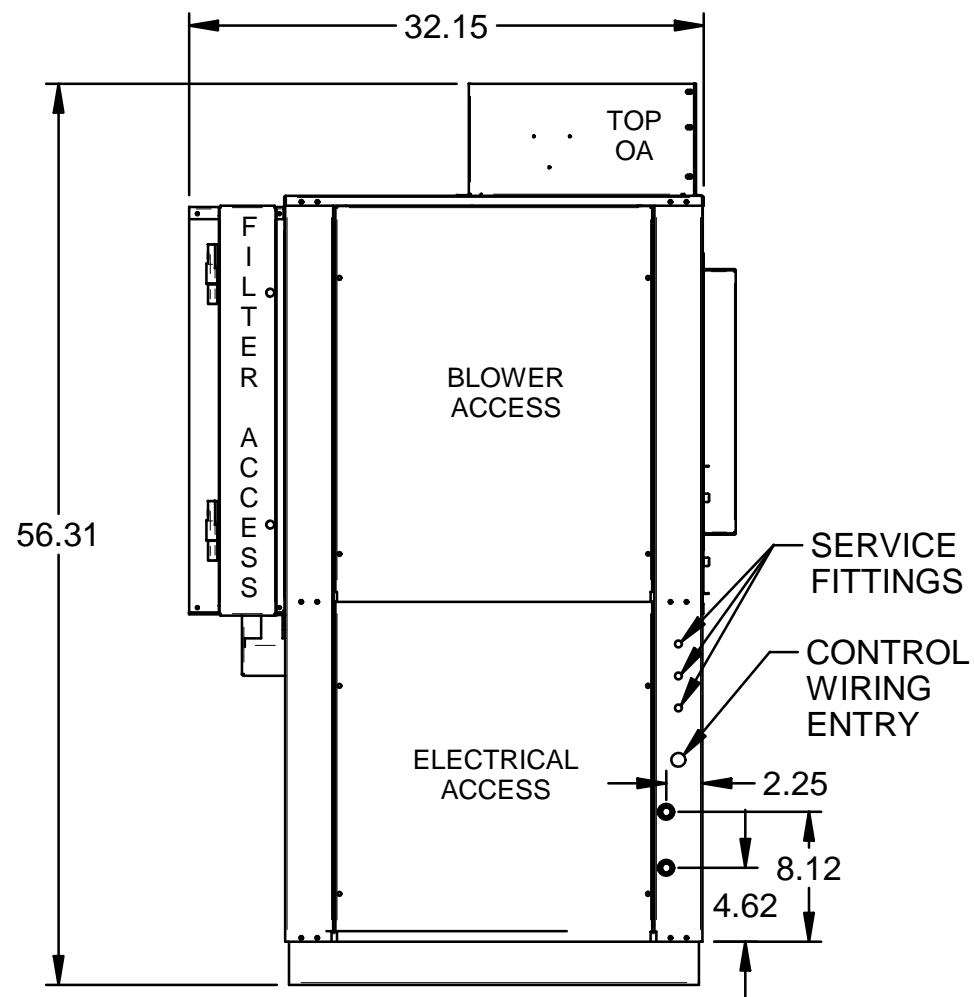
Natatorium Dehumidification Unit



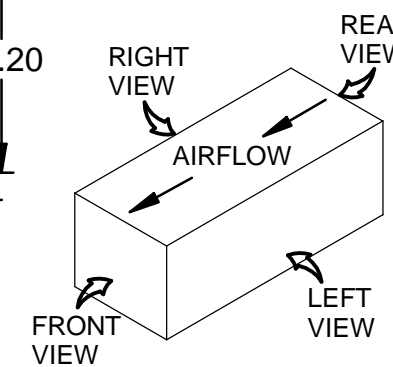
AIR FILTERS			
Location	Qty.	Size	P/N
Return (1")	2	14" x 25"	26-0090-2
Return (2")	2	14" x 25"	26-0090-17
Return - 1" STD, 2" Optional			



ISOMETRIC VIEW

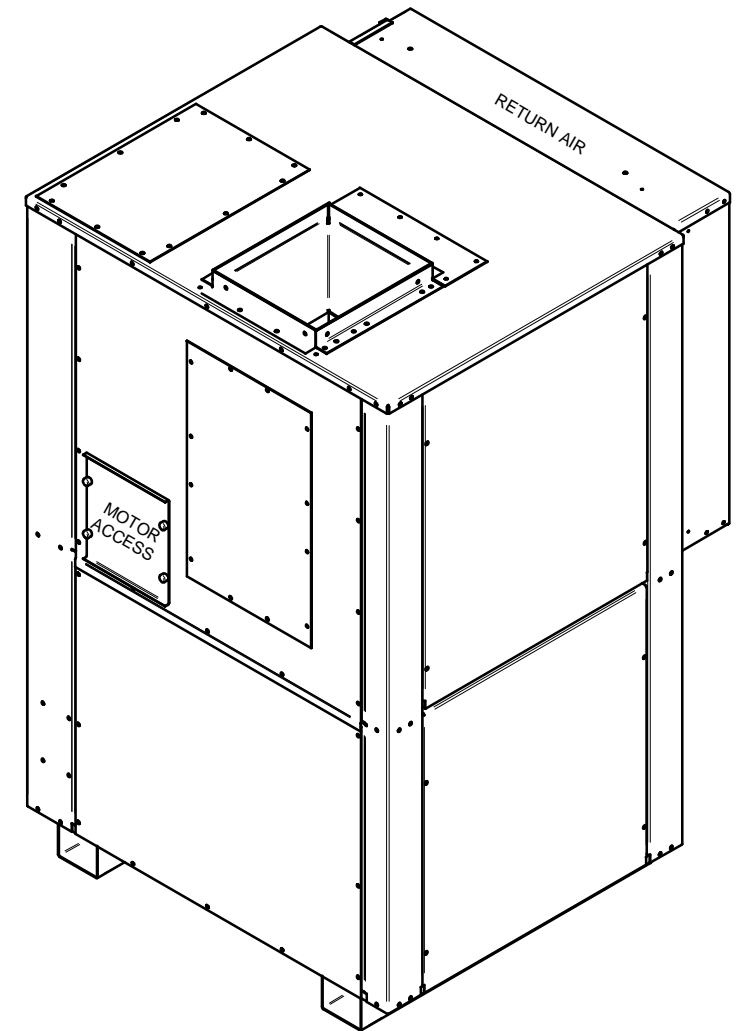
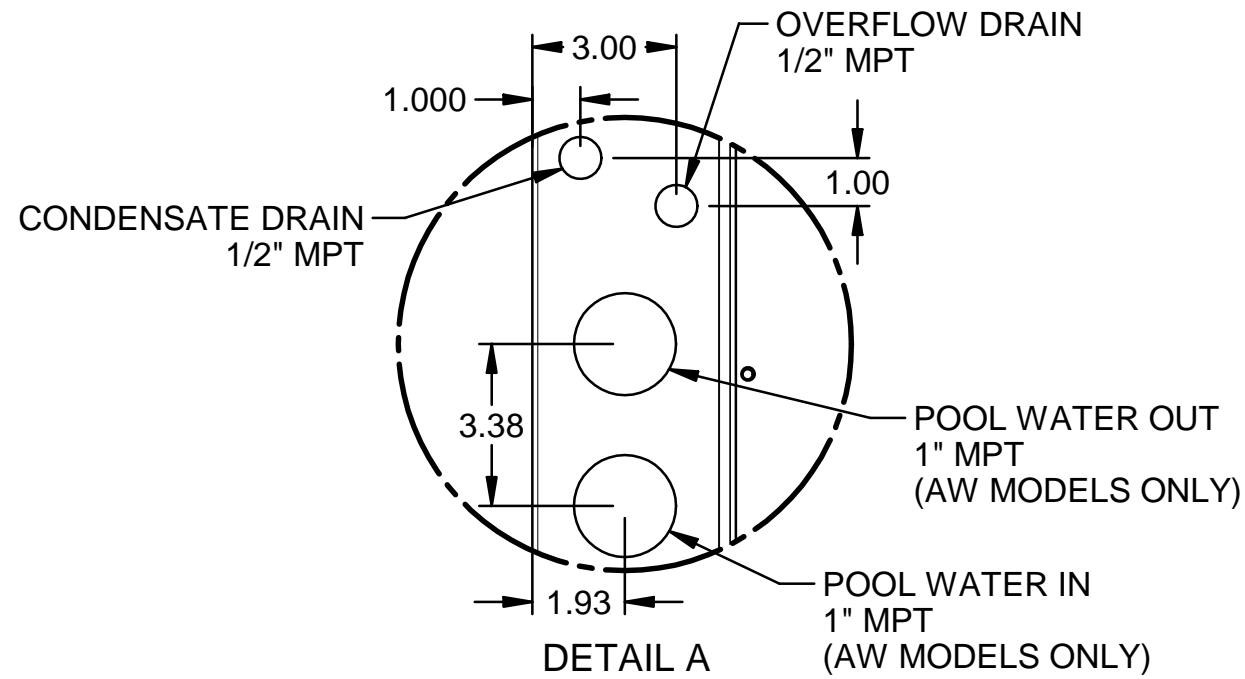
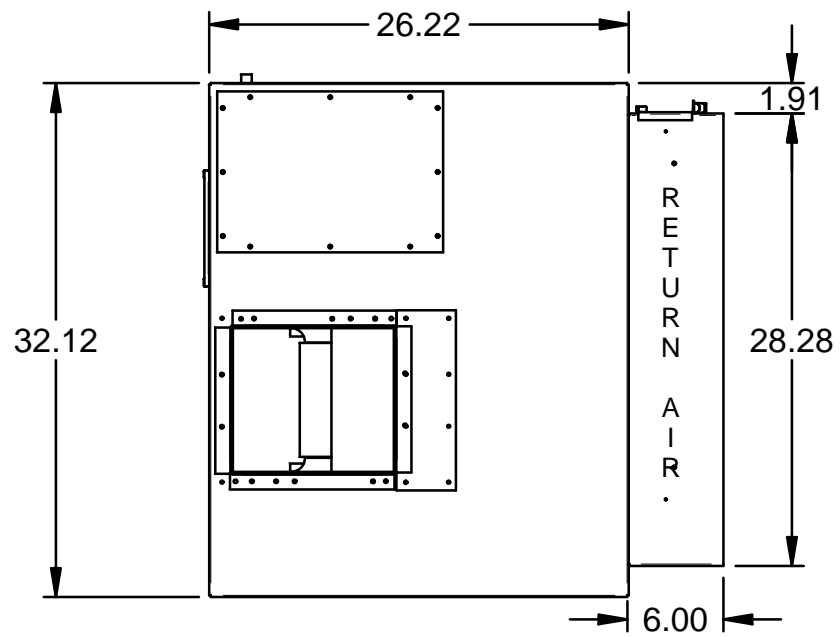


B
HW
(OPTIONAL)
1" MPT

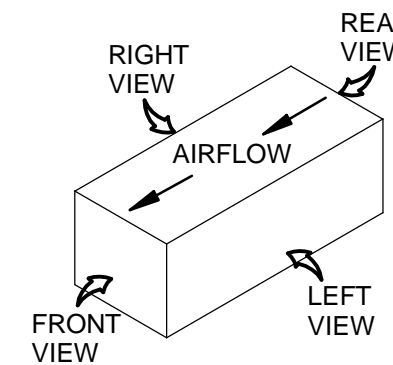
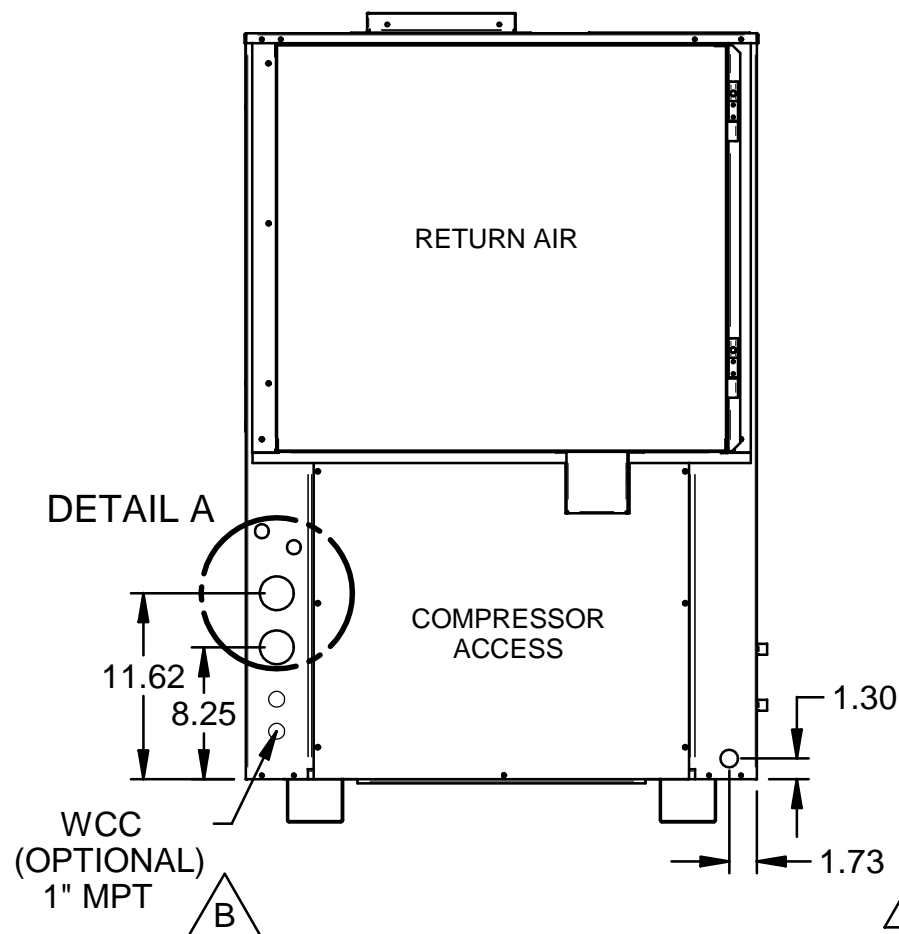
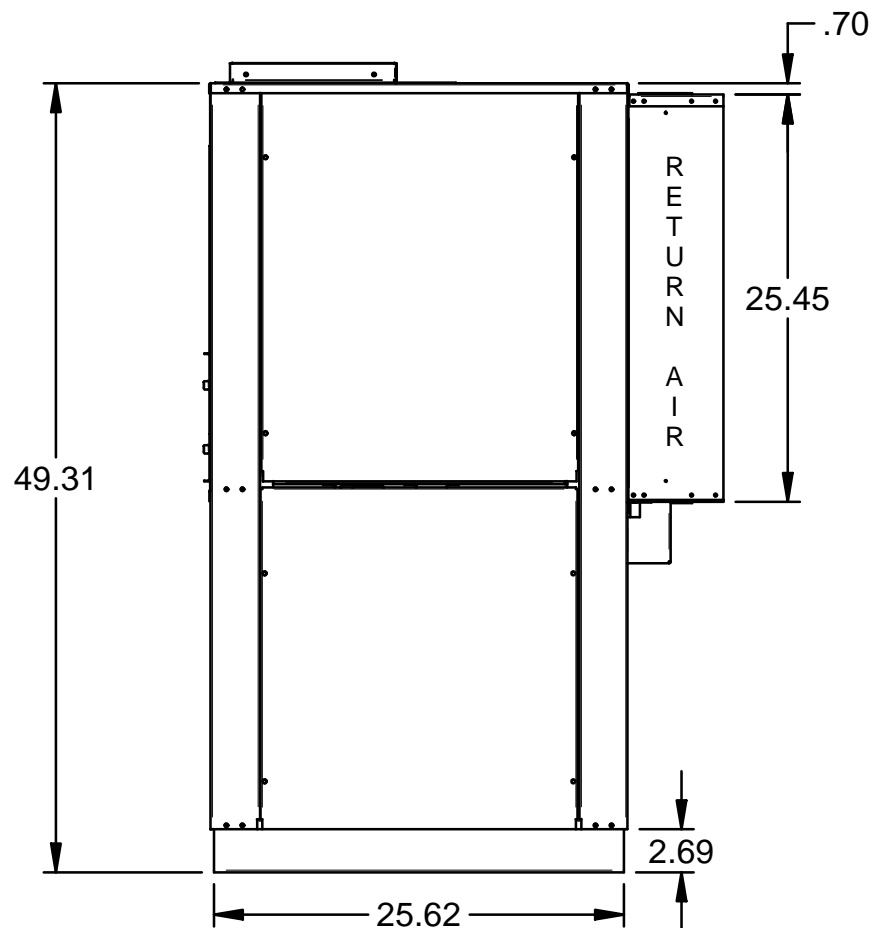


DIMENSIONS ARE IN 'INCHES'
WEIGHTS ARE IN 'POUNDS'

POOLPAK INTERNATIONAL				YORK, PA	
DESCR: DIAGRAM, AWV/HCDV-550/800/1200 (VERTICAL) R410A TITLE BLOCK FOR INTERNAL USE ONLY					
				1 OF 5	
ESTIMATED WEIGHTS					
	550	800	1200	UNIT(S) USED: AWV/HCDV-550/800/1200	
AWV	440	470	510	FILE: 5600001.dft	
HCDV	425	455	495	DR: dhenry	CHK:
				REV. B	PART NO. 560-0001D
				DATE: 8/12/2009	

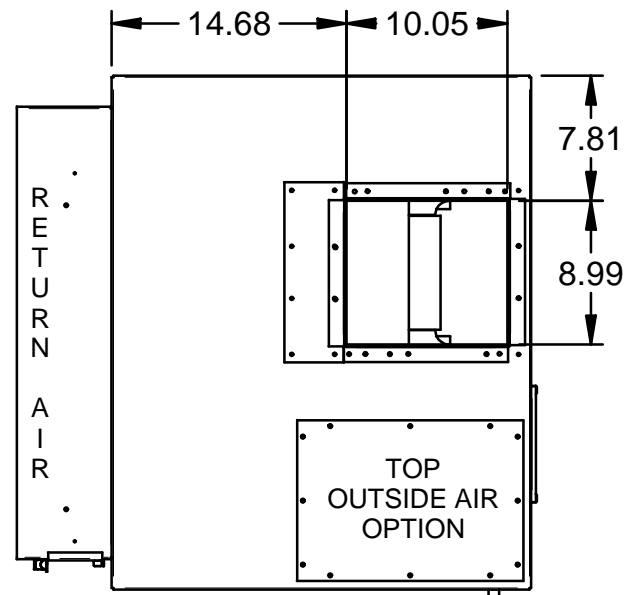


ISOMETRIC VIEW

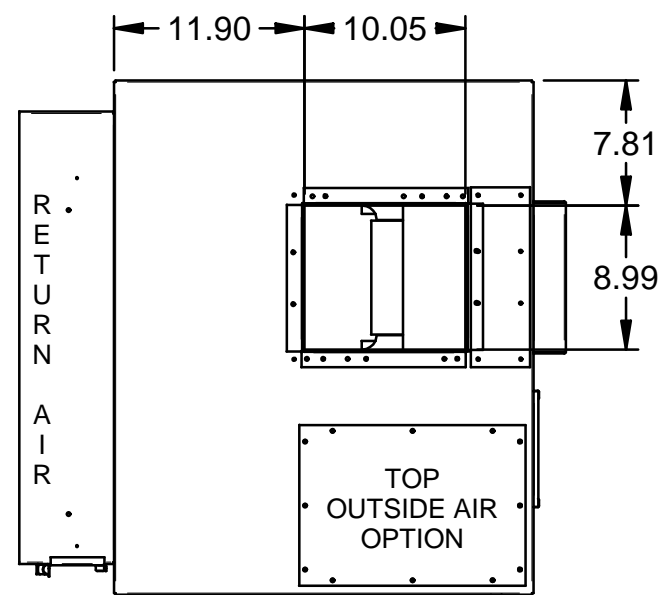


DIMENSIONS ARE IN 'INCHES'
WEIGHTS ARE IN 'POUNDS'

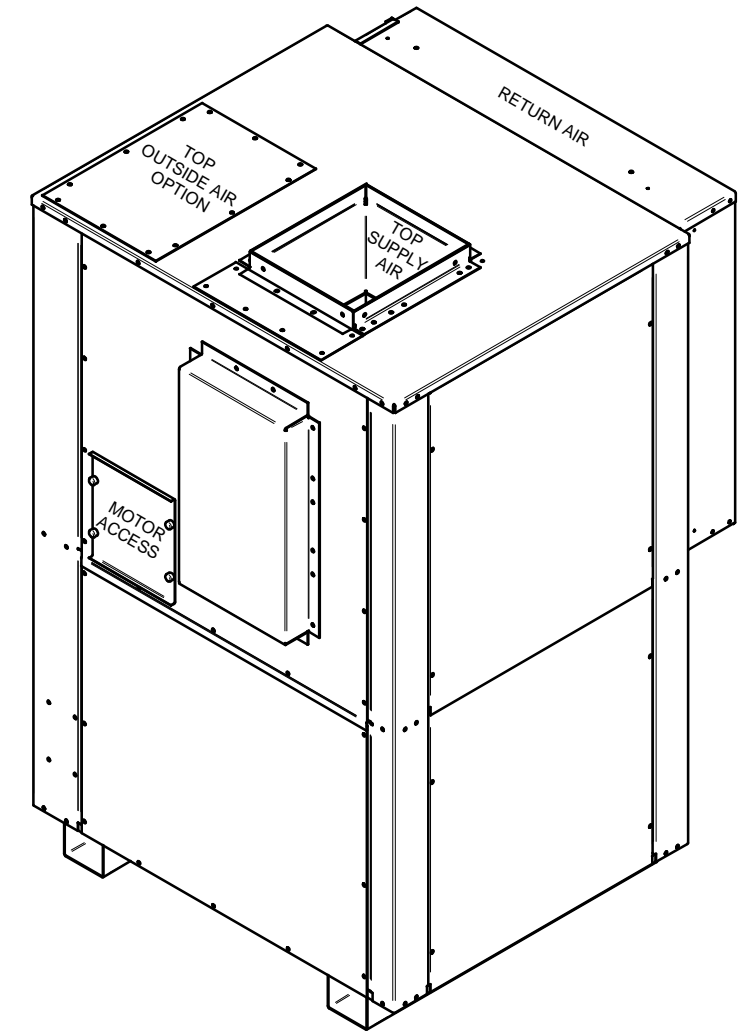
POOLPAK INTERNATIONAL				YORK, PA	
DESCR: DIAGRAM, AWV/HCDV-550/800/1200 (VERTICAL) R410A TITLE BLOCK FOR INTERNAL USE ONLY					
2 OF 5					
ESTIMATED WEIGHTS					
	550	800	1200	UNIT(S) USED: AWV/HCDV-550/800/1200	
	440	470	510	FILE: 5600001.dft	
AWV	440	470	510	DR: dhenry	CHK:
HCDV	425	455	495	DATE: 8/12/2009	REV. B
				PART NO.	560-0001D



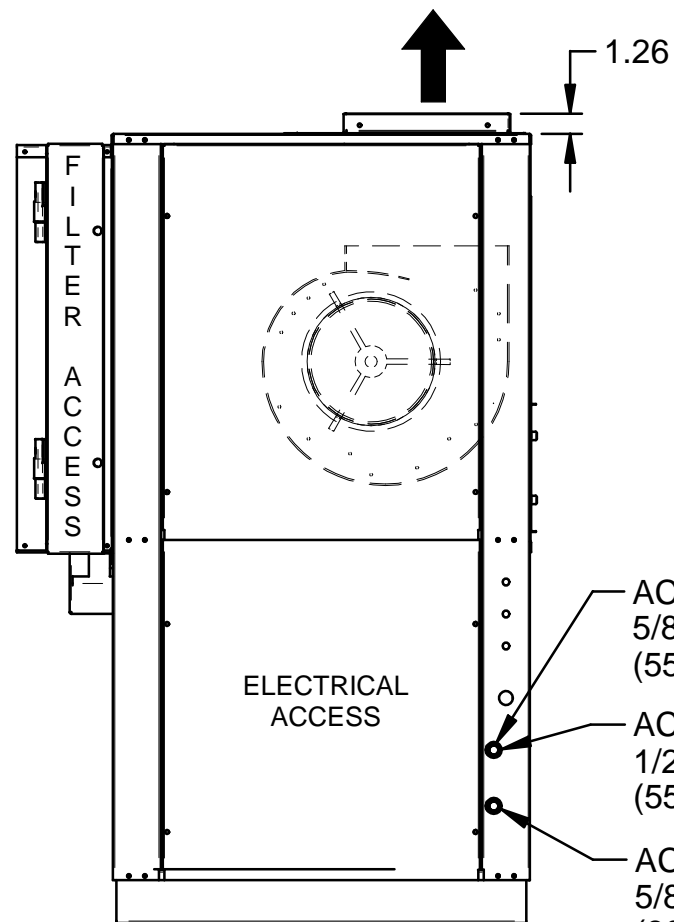
TOP SUPPLY - (9X7 CCW) - (SA-TLO8)



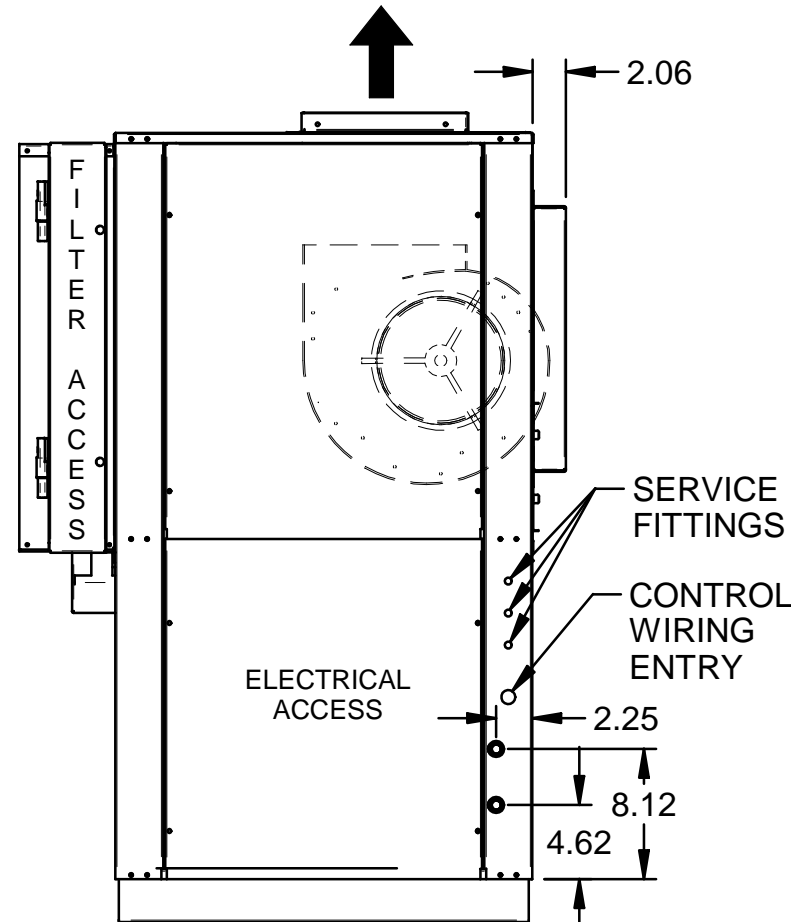
TOP SUPPLY - (9X7 CW) - (SA-TL07)



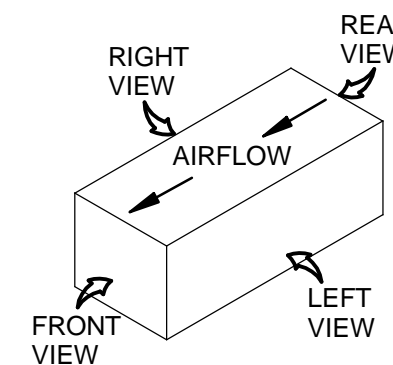
ISOMETRIC VIEW



TOP SUPPLY - (9X7 CCW) - (SA-TLO8)



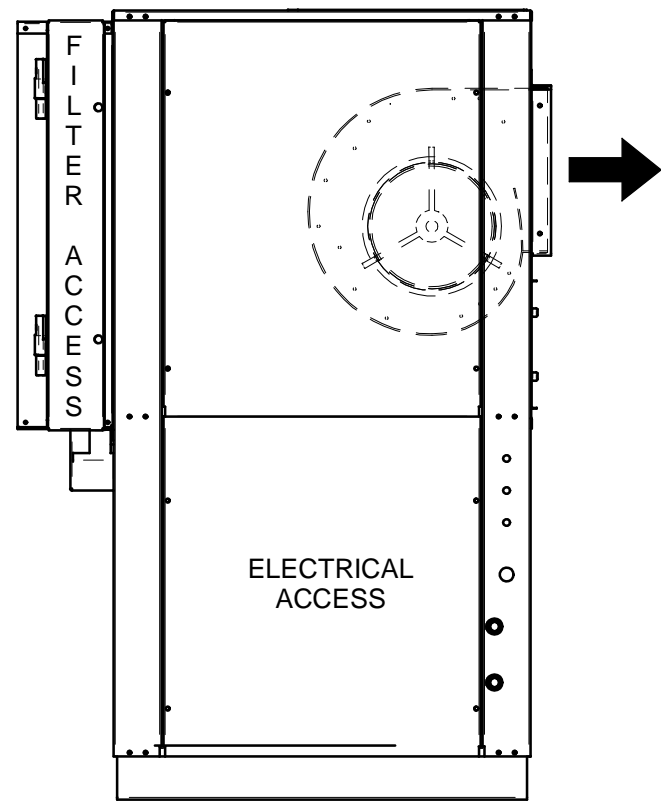
TOP SUPPLY - (9X7 CW) - (SA-TL07)



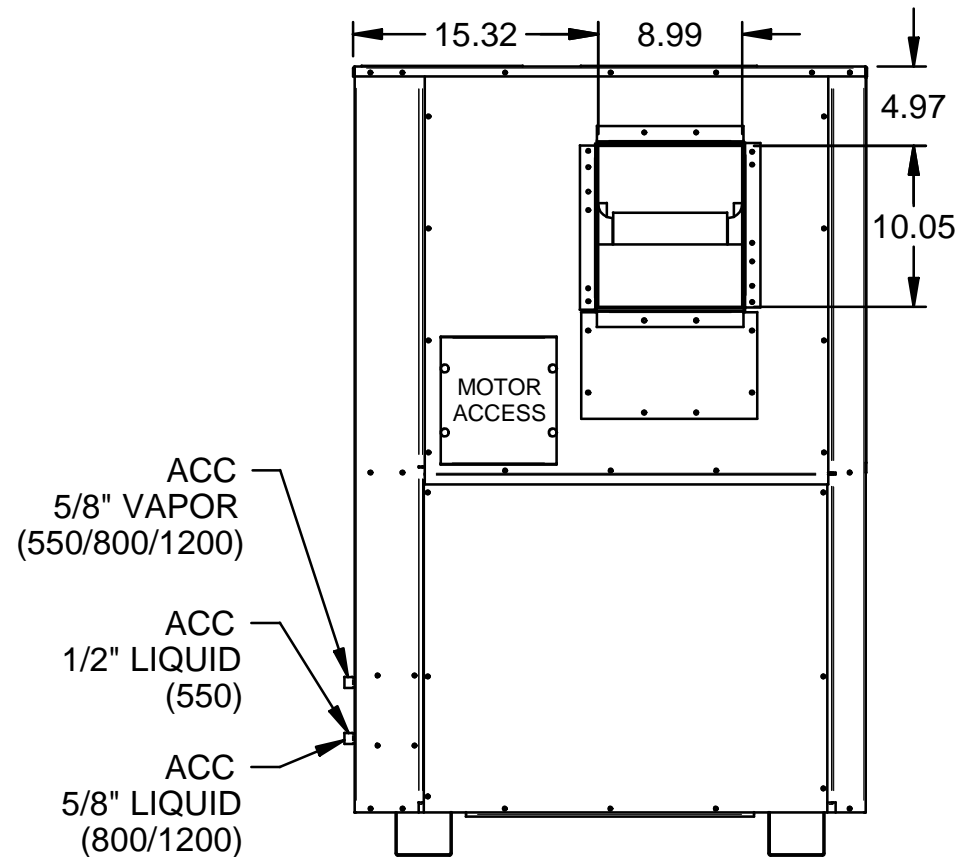
DIMENSIONS ARE IN 'INCHES'
WEIGHTS ARE IN 'POUNDS'

POOLPAK INTERNATIONAL YORK, PA			
DESCR: DIAGRAM, AWV/HCDV-550/800/1200 (VERTICAL)			
R410A			
TITLE BLOCK FOR INTERNAL USE ONLY			3 OF 5
ESTIMATED WEIGHTS			
	550	800	1200
AWV	440	470	510
HCDV	425	455	495
UNIT(S) USED: AWV/HCDV-550/800/1200			
FILE: 5600001.dft			
DR: dhenry	CHK:	REV. B	PART NO. 560-0001D
DATE: 8/12/2009			

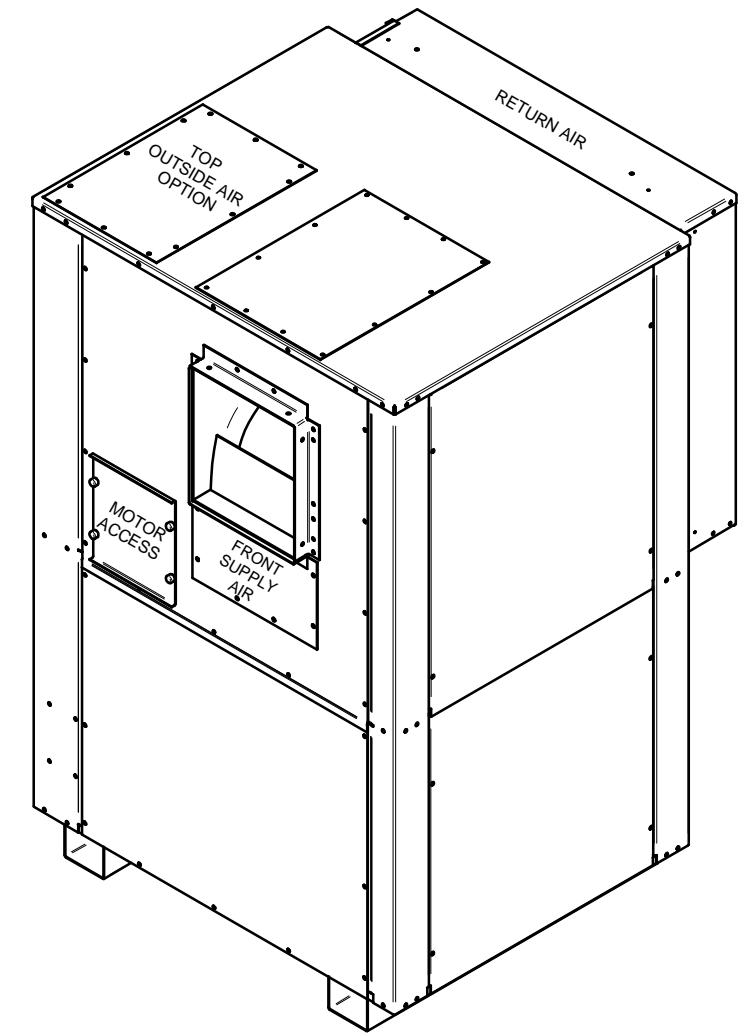




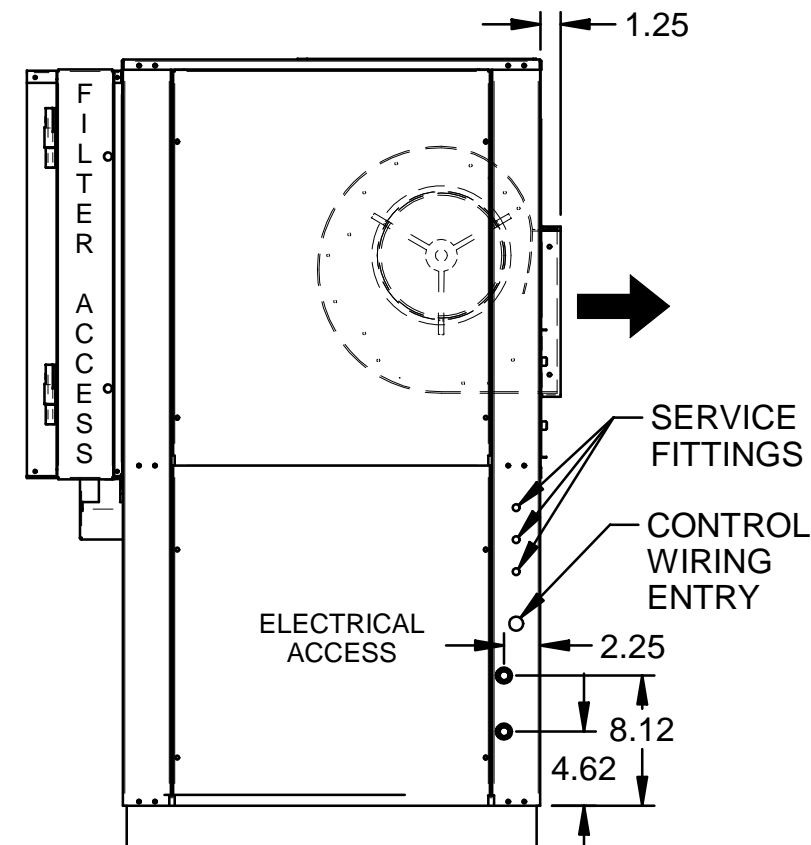
FRONT SUPPLY - (9X7 CW) - (SA-FL01)



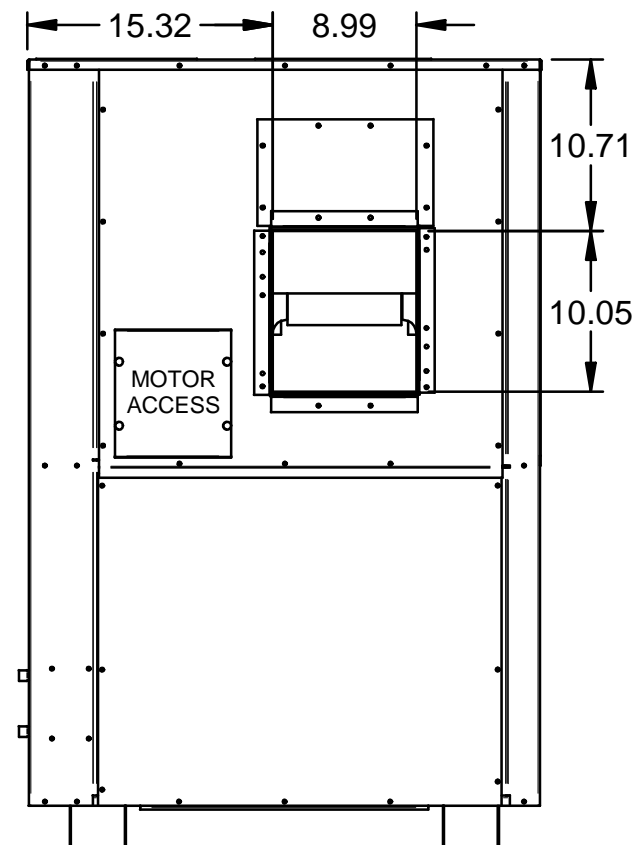
FRONT SUPPLY - (9X7 CW) - (SA-FL01)



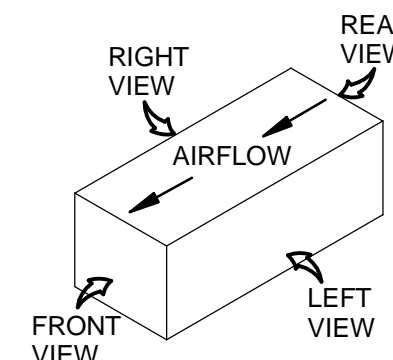
ISOMETRIC VIEW



FRONT SUPPLY - (9X7 CCW) - (SL-FL02)



FRONT SUPPLY - (9X7 CCW) - (SL-FL02)



DIMENSIONS ARE IN 'INCHES'
WEIGHTS ARE IN 'POUNDS'

POOLPAK INTERNATIONAL YORK, PA			
DESCR: DIAGRAM, AWV/HCDV-550/800/1200 (VERTICAL) R410A			
TITLE BLOCK FOR INTERNAL USE ONLY			4 OF 5
ESTIMATED WEIGHTS			
	550	800	1200
AWV	440	470	510
HCDV	425	455	495
UNIT(S) USED: AWV/HCDV-550/800/1200			
FILE: 5600001.dft			
DR: dhenry	CHK:	REV. B	PART NO. 560-0001D
DATE: 8/12/2009			