

**POOLPAK**

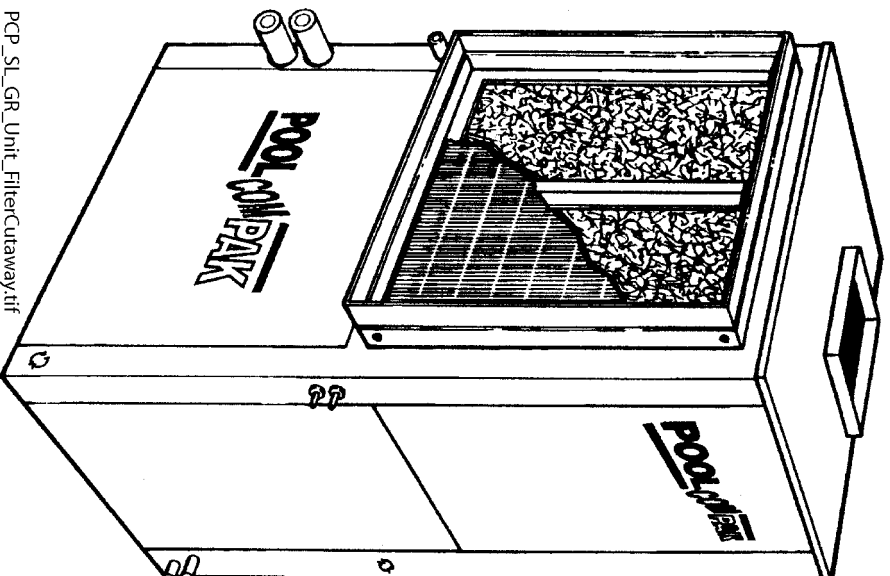


**PoolComPak**

**Series AWW/HCDV 1400/1800**

**Dimensional Drawings**

Packaged Natatorium Environment Control System



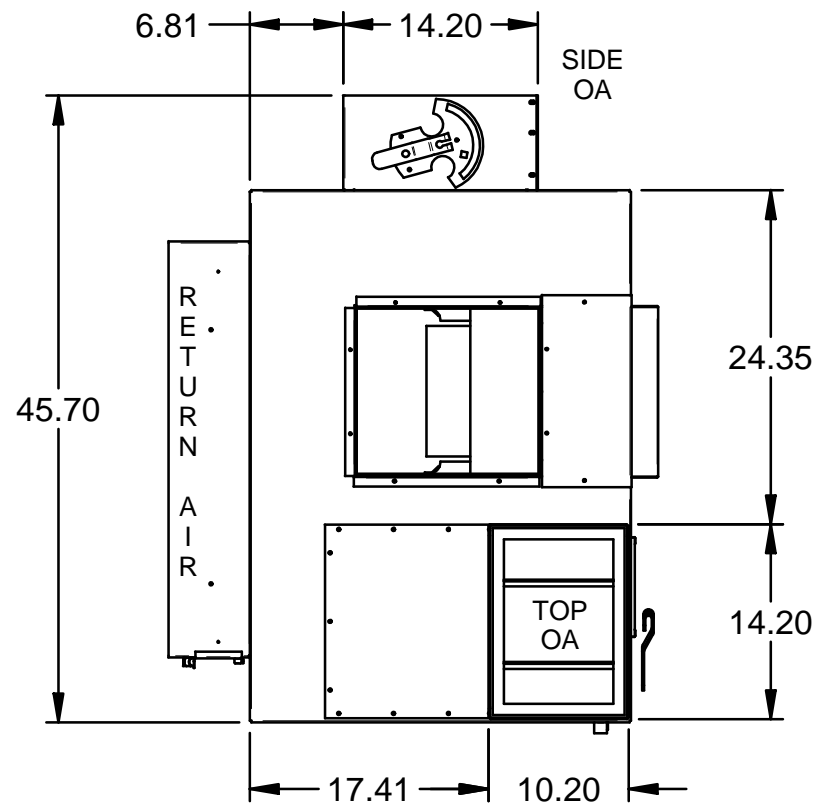
PCP\_sl\_GR\_Unit\_FilterCutaway.tif



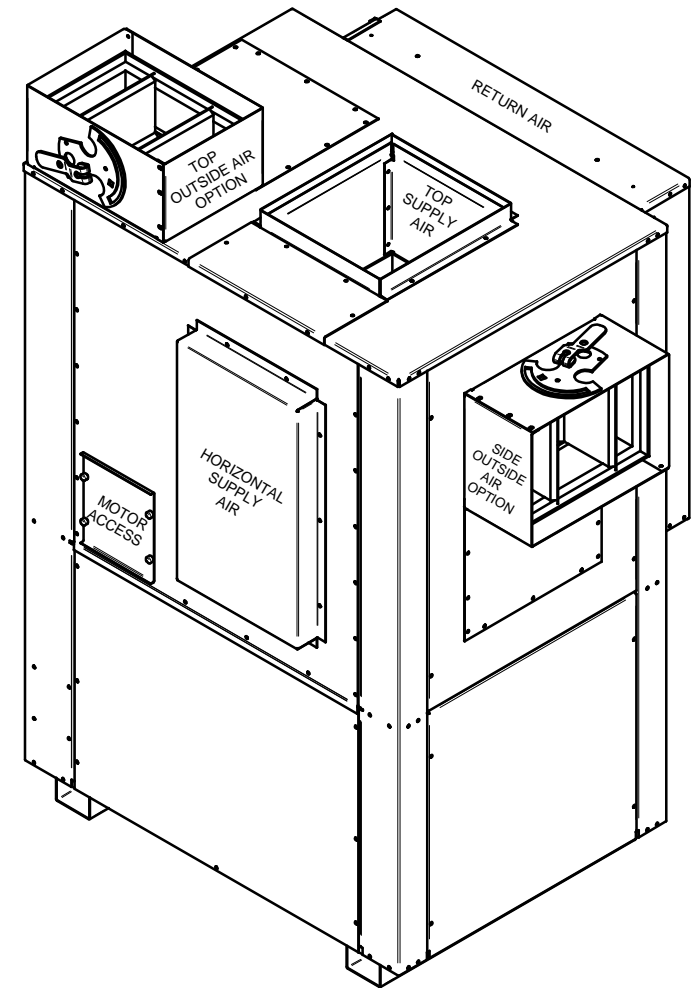
**POOL ComPAK**

**PoolComPak™ Series (PCP)**

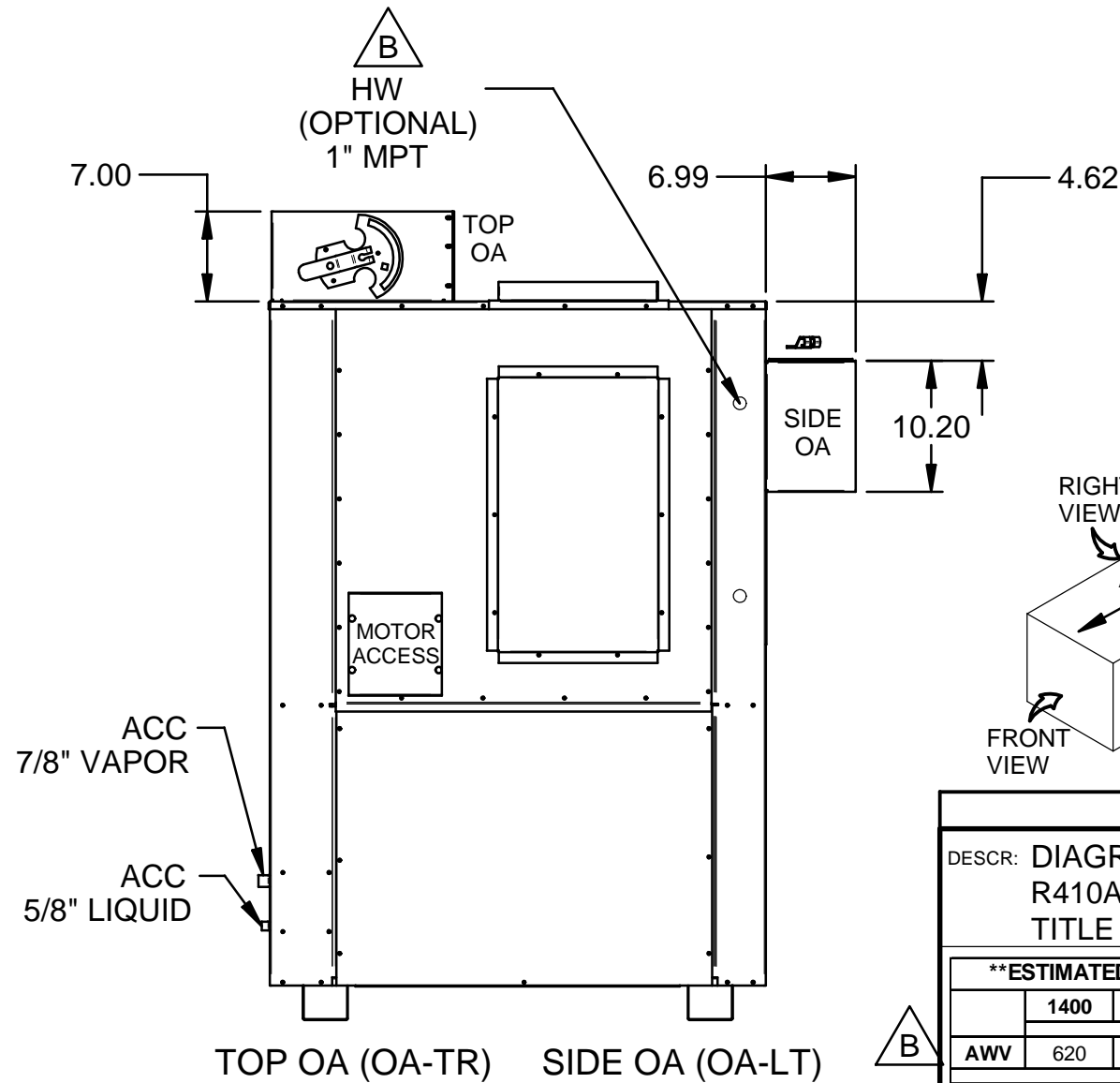
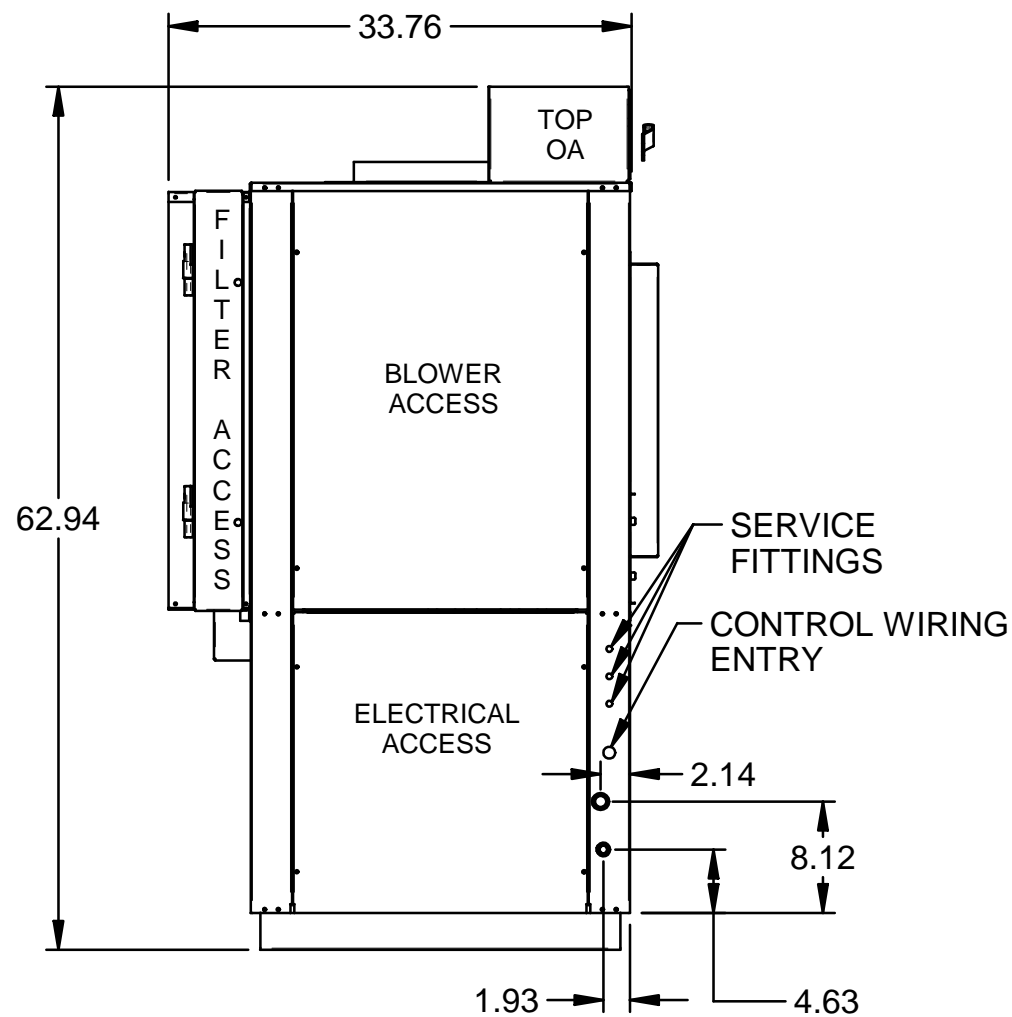
**Natatorium Dehumidification Unit**



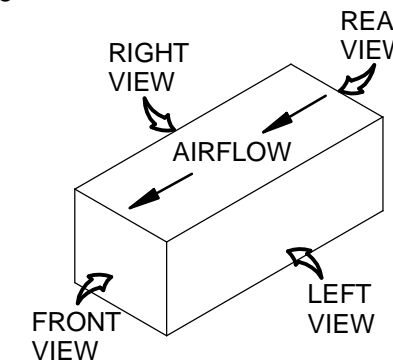
AIR FILTERS			
Location	Qty.	Size	P/N
Return (1")	2	15" x 30"	26-0090-3
Return (2")	2	15" x 30"	26-0090-16
Return - 1" STD, 2" Optional			



ISOMETRIC VIEW

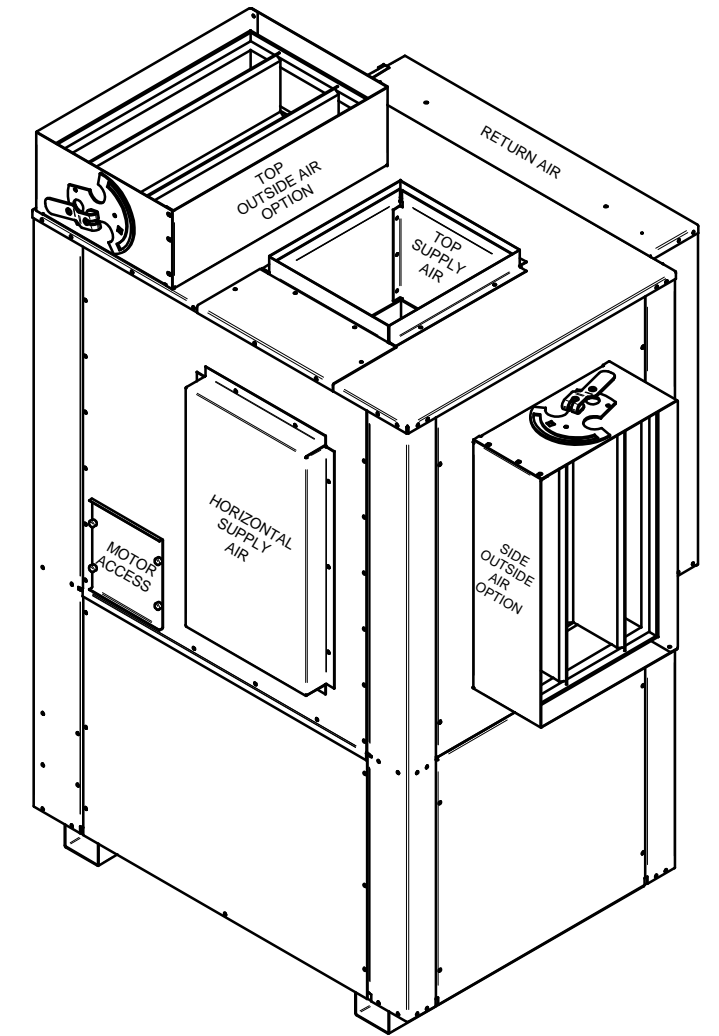
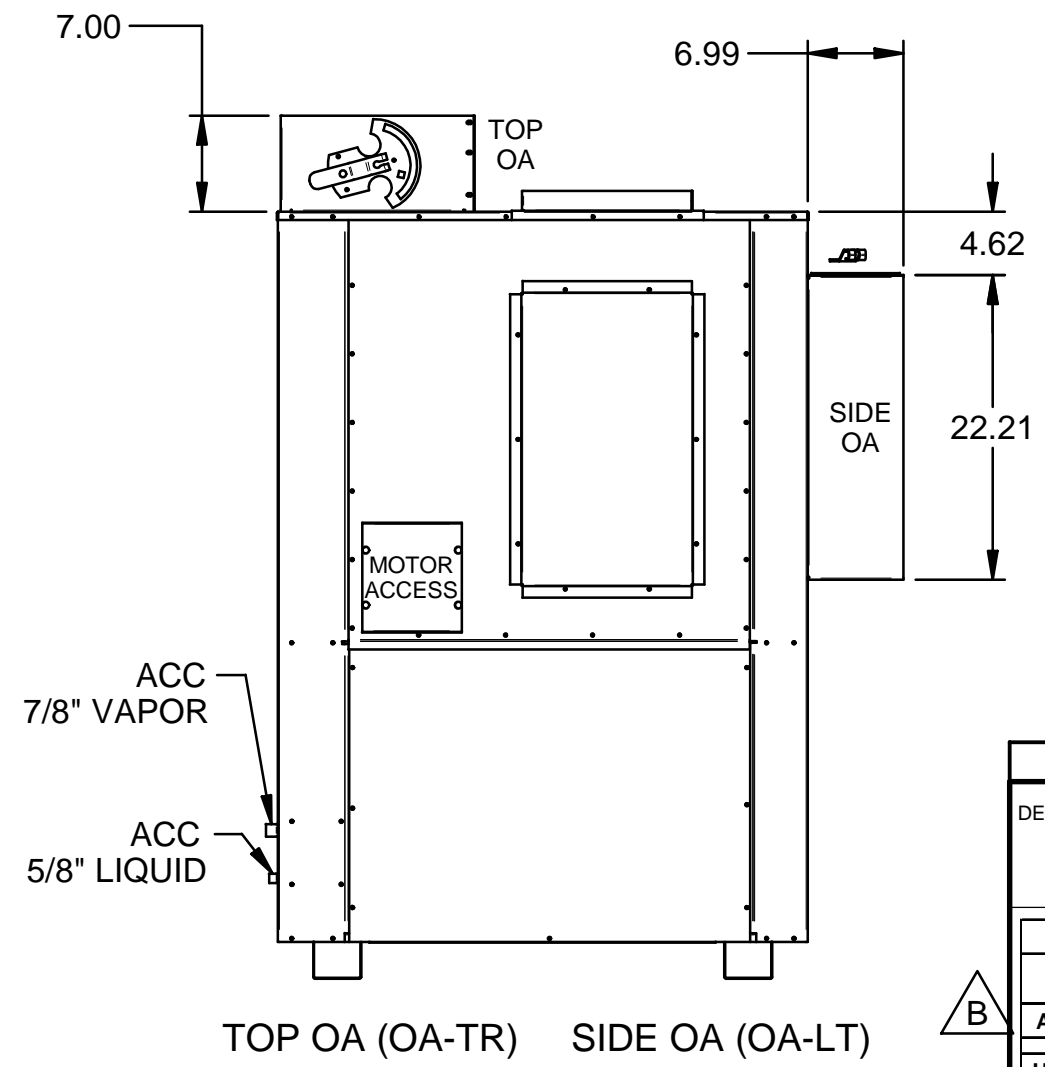
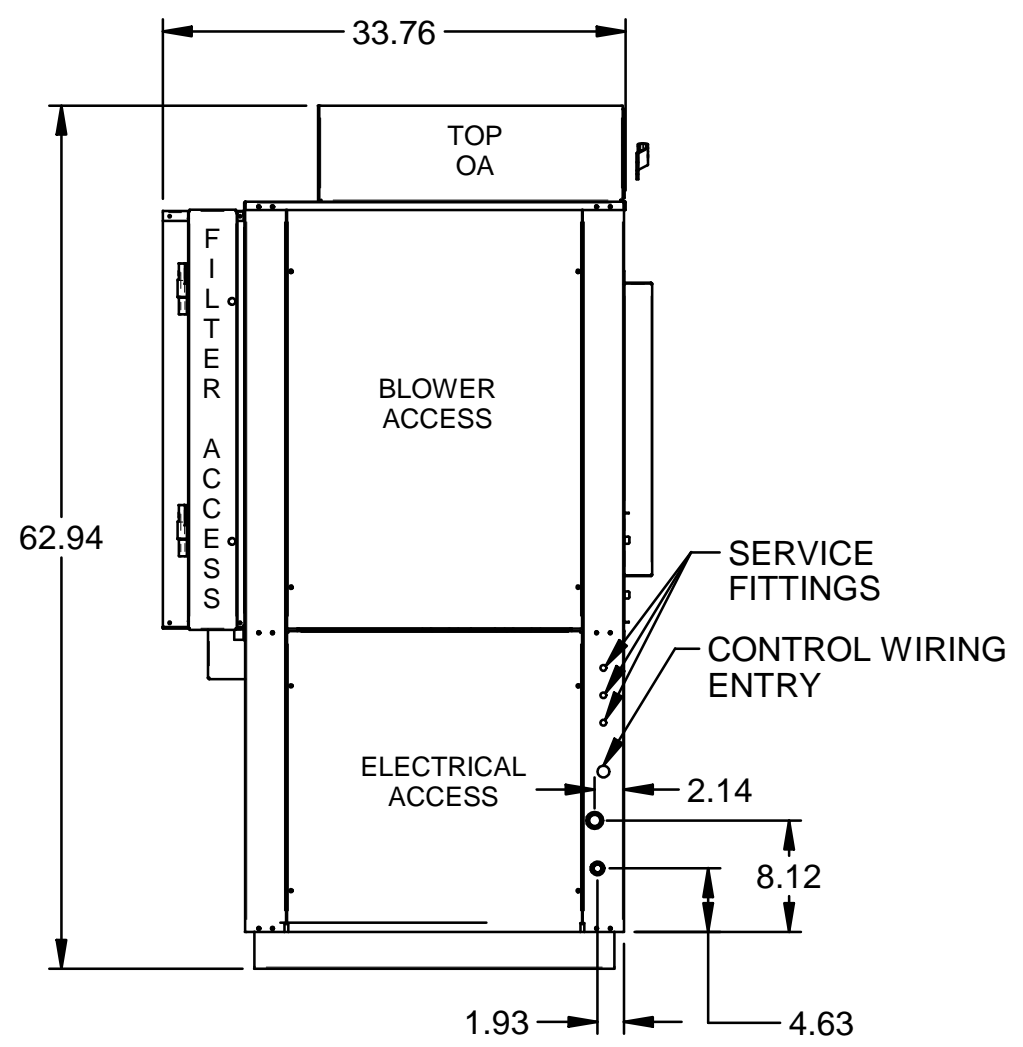
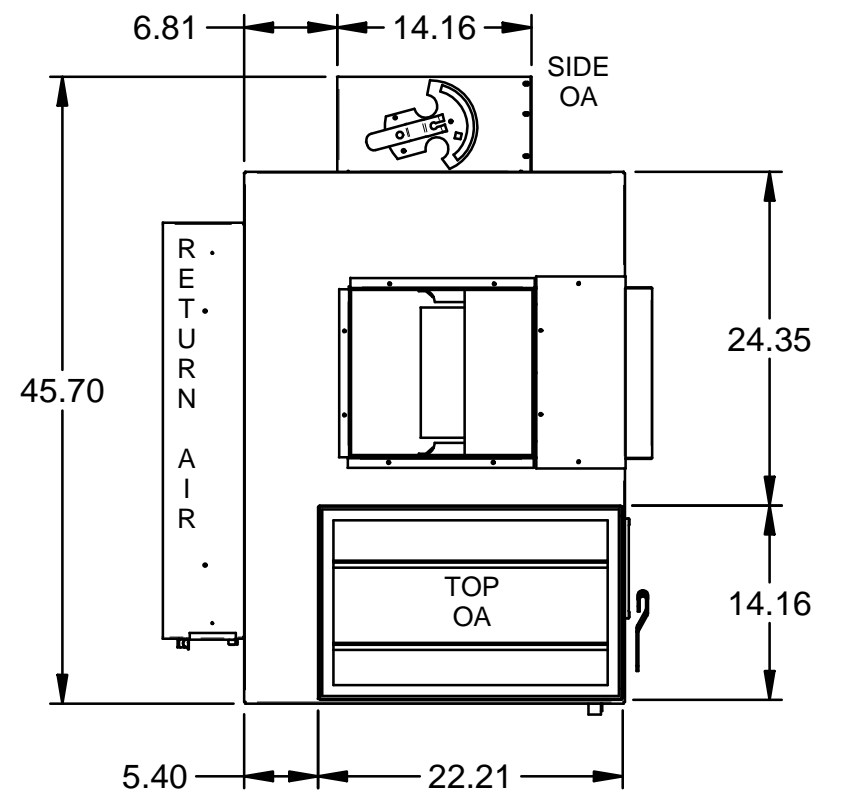


TOP OA (OA-TR) SIDE OA (OA-LT)

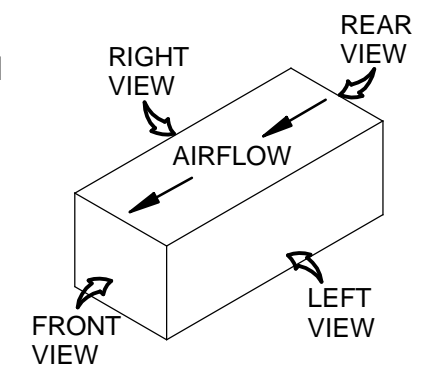


DIMENSIONS ARE IN 'INCHES'  
WEIGHTS ARE IN 'POUNDS'

POOLPAK INTERNATIONAL		YORK, PA	
DESCR: DIAGRAM, AWV/HCDV-1400/1800 (VERTICAL) R410A TITLE BLOCK FOR INTERNAL USE ONLY			
			1 OF 6
<b>**ESTIMATED WEIGHTS**</b>			
	1400	1800	
AWV	620	630	
HCDV	590	600	
UNIT(S) USED: AWV/HCDV-1400/1800		FILE: 5600002.dft	
DR: dhenry	CHK:	REV. B	PART NO. 560-0002D
DATE: 8/12/2009			

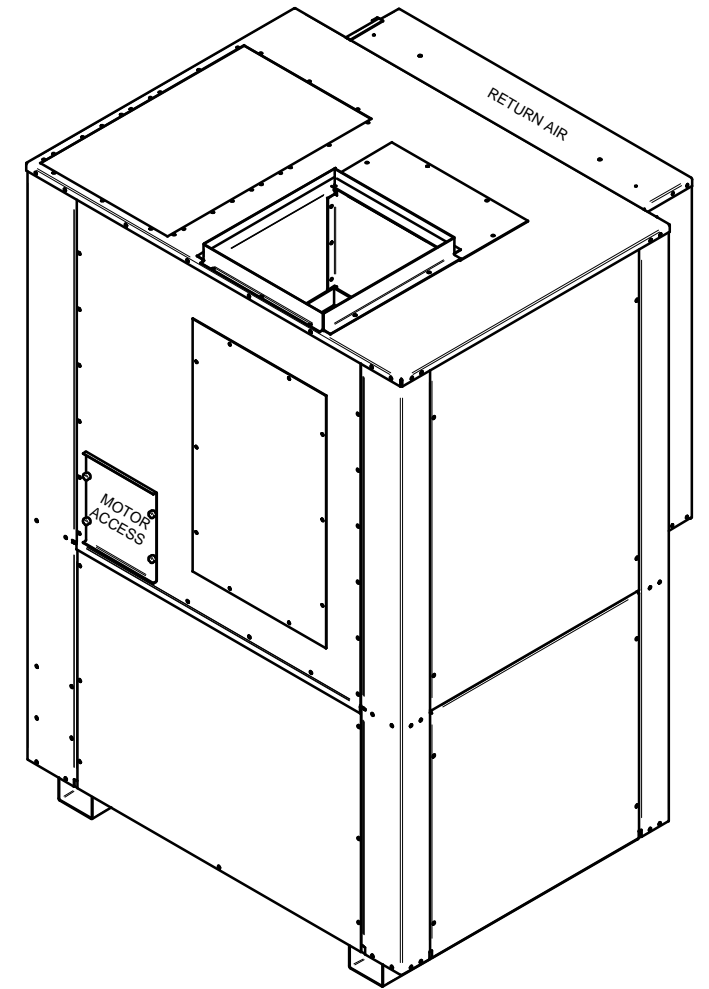
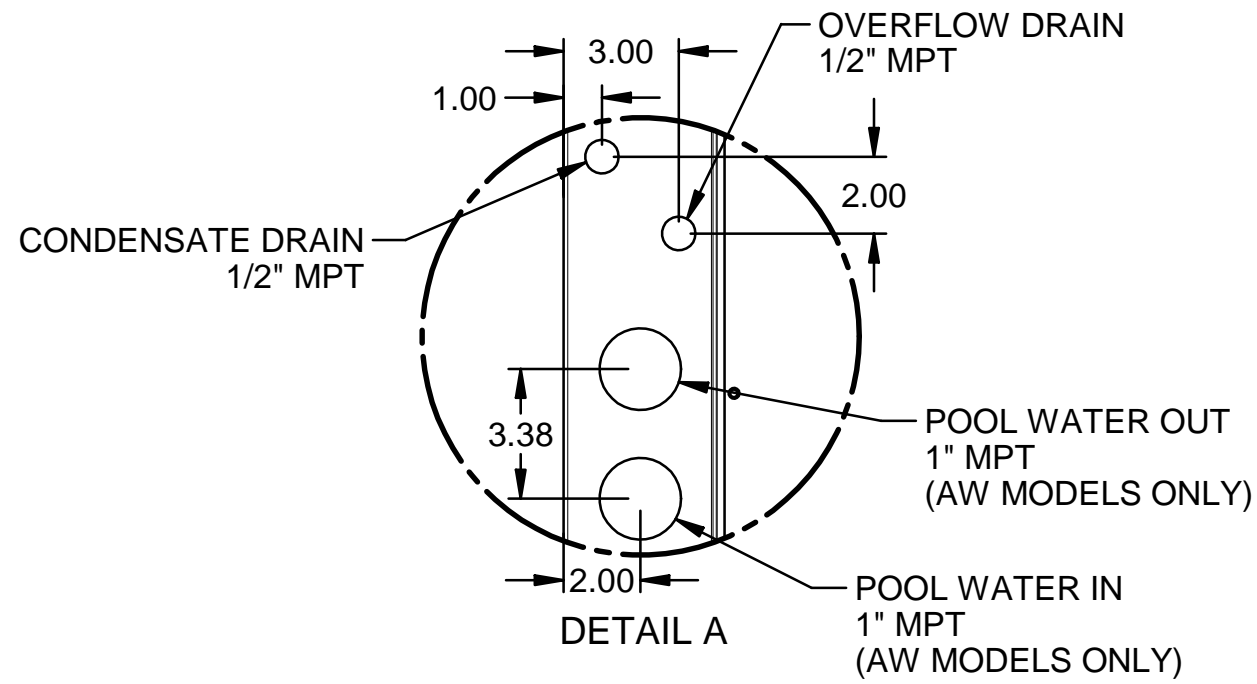
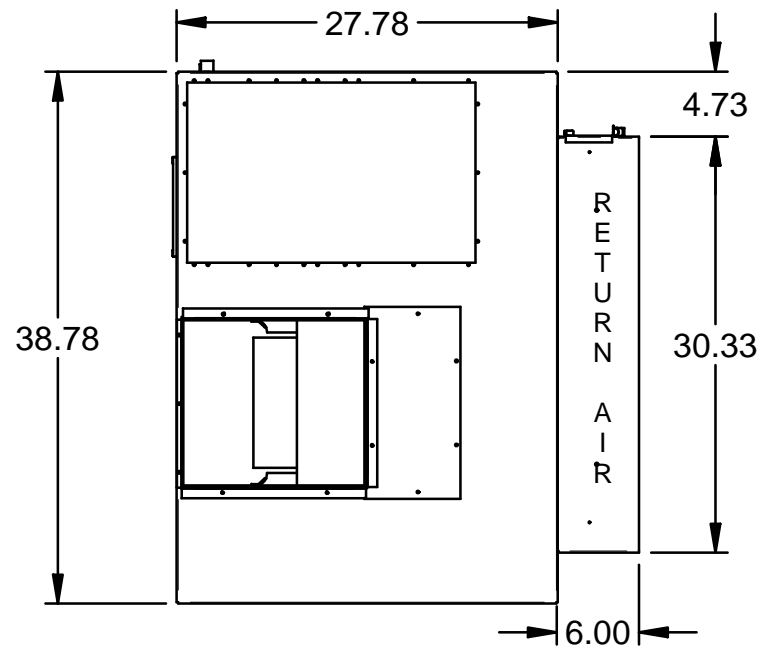


ISOMETRIC VIEW

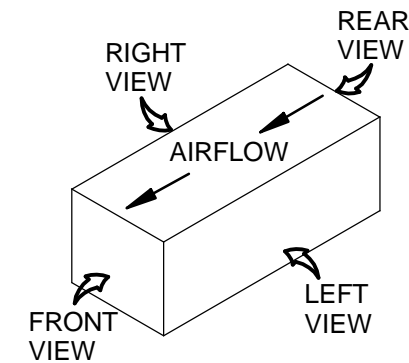
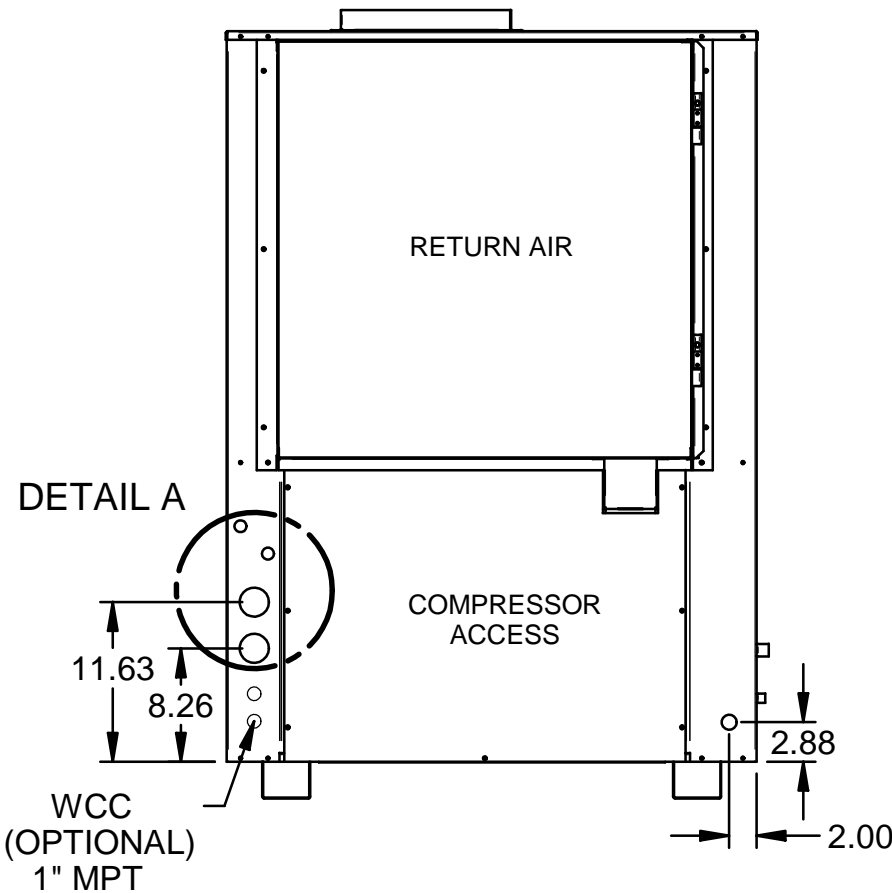
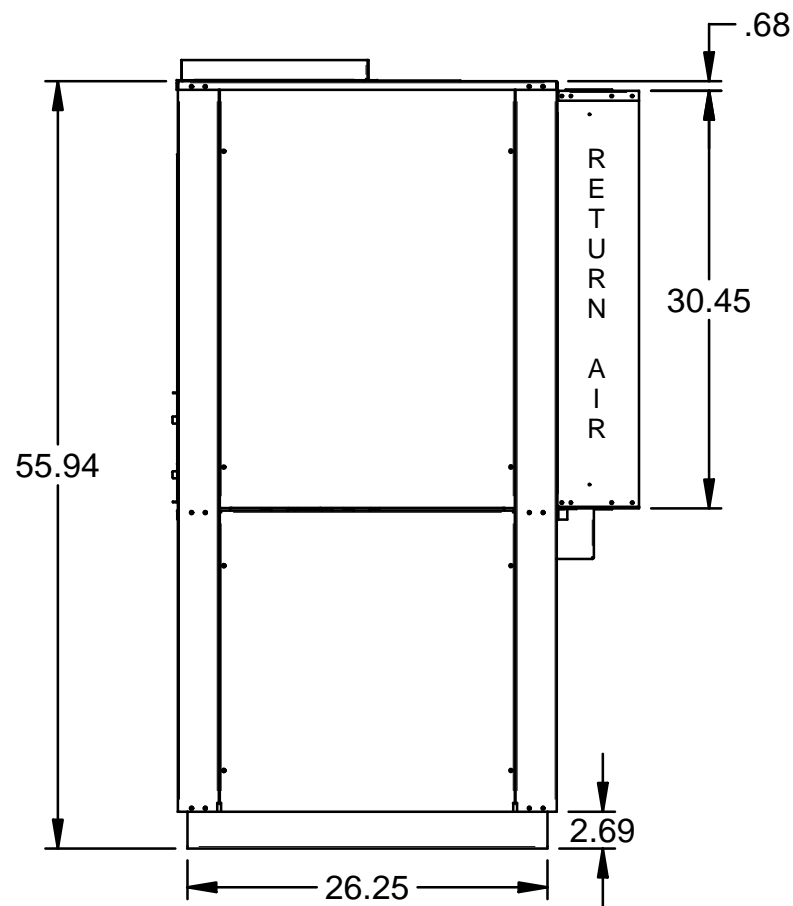


DIMENSIONS ARE IN 'INCHES'  
 WEIGHTS ARE IN 'POUNDS'

POOLPAK INTERNATIONAL YORK, PA			
DESCR: DIAGRAM, AWW/HCDV-1400/1800 (VERTICAL) R410A			
TITLE BLOCK FOR INTERNAL USE ONLY			2 OF 6
<b>**ESTIMATED WEIGHTS**</b>		UNIT(S) USED: AWW/HCDV-1400/1800	
	1400	1800	FILE: 5600002.dft
AWV	620	630	DR: dhenry
HCDV	590	600	CHK: REV. PART NO.
DATE: 8/12/2009			<b>B</b> 560-0002D

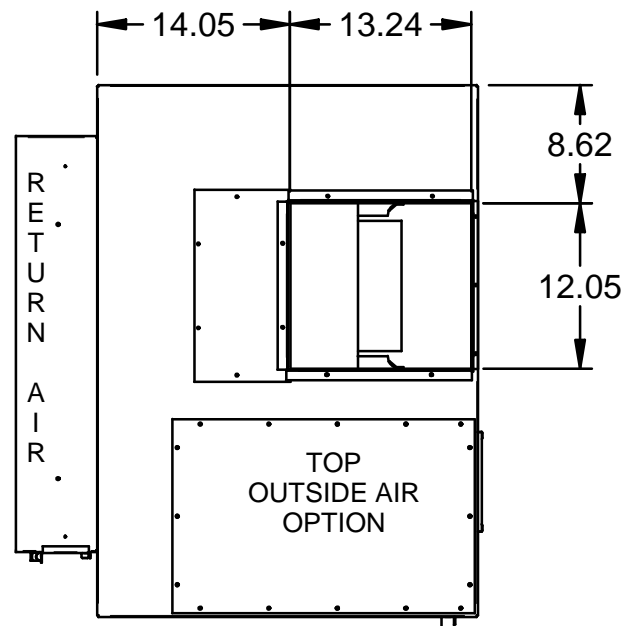


ISOMETRIC VIEW

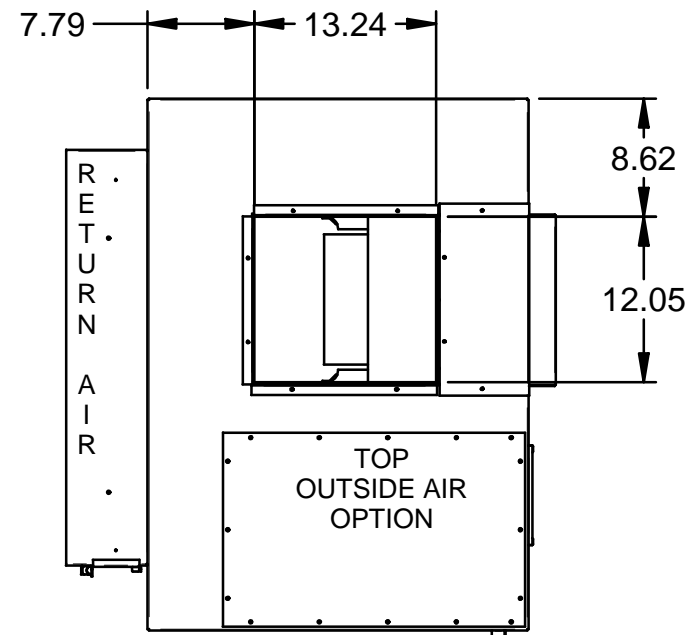


DIMENSIONS ARE IN 'INCHES'  
WEIGHTS ARE IN 'POUNDS'

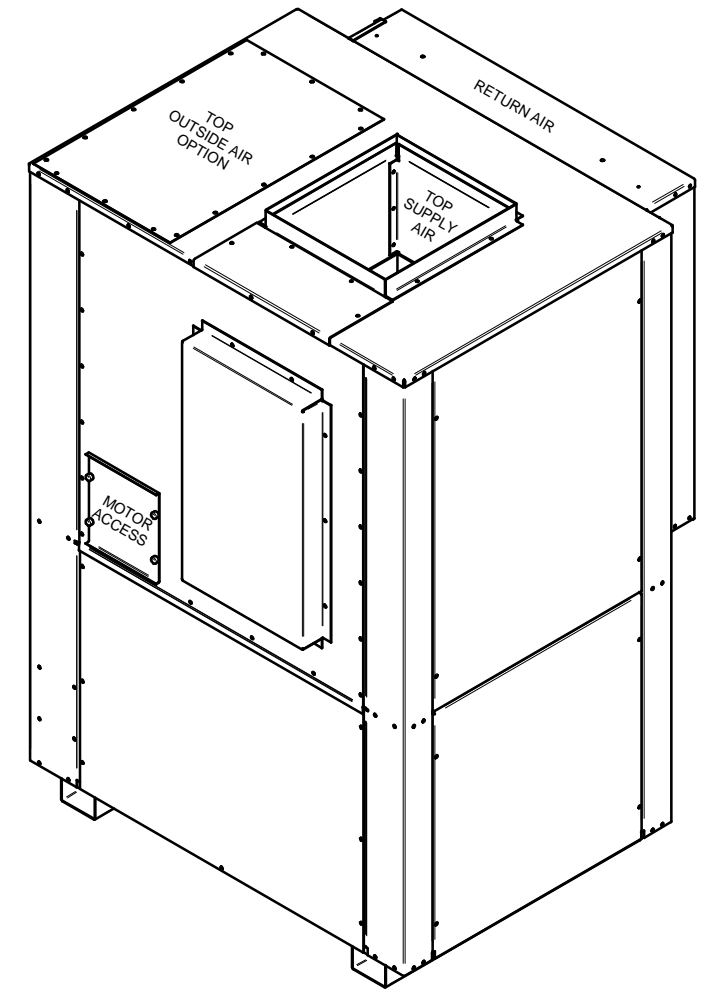
POOLPAK INTERNATIONAL YORK, PA			
DESCR: DIAGRAM, AWV/HCDV-1400/1800 (VERTICAL) R410A TITLE BLOCK FOR INTERNAL USE ONLY 3 OF 6			
<b>**ESTIMATED WEIGHTS**</b>		UNIT(S) USED: AWV/HCDV-1400/1800	
	1400	1800	FILE: 5600002.dft
AWV	620	630	DR: dhenry
HCDV	590	600	CHK: DATE: 8/12/2009
REV. B			PART NO. 560-0002D



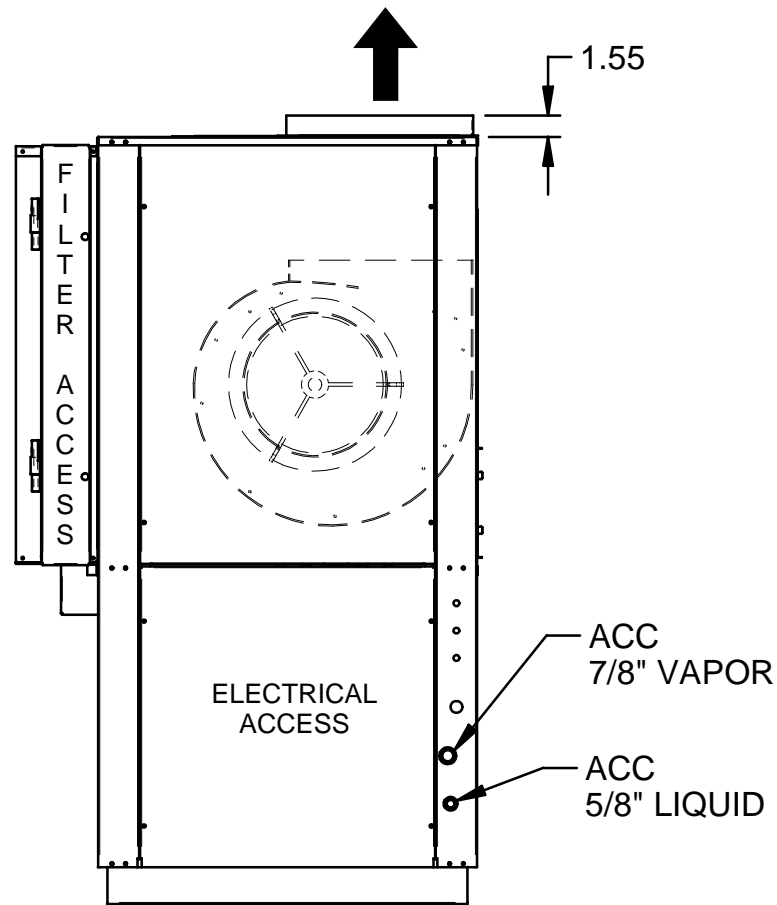
TOP SUPPLY - (12X9 CCW) - (SA-TL08)



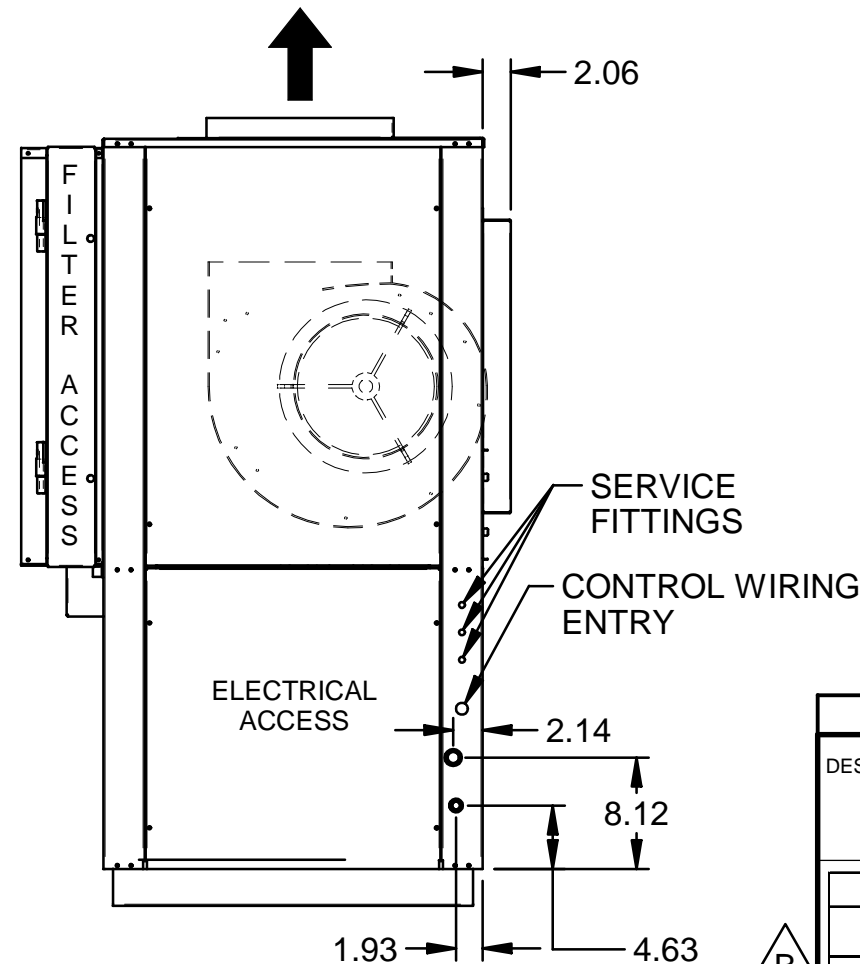
TOP SUPPLY - (12X9 CW) - (SA-TL07)



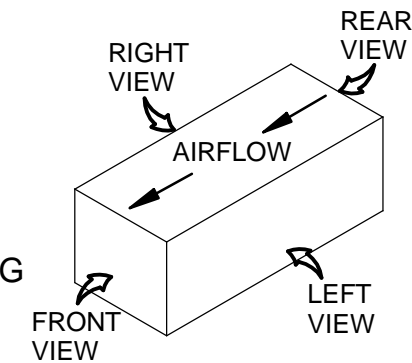
ISOMETRIC VIEW



TOP SUPPLY - (12X9 CCW) - (SA-TL08)

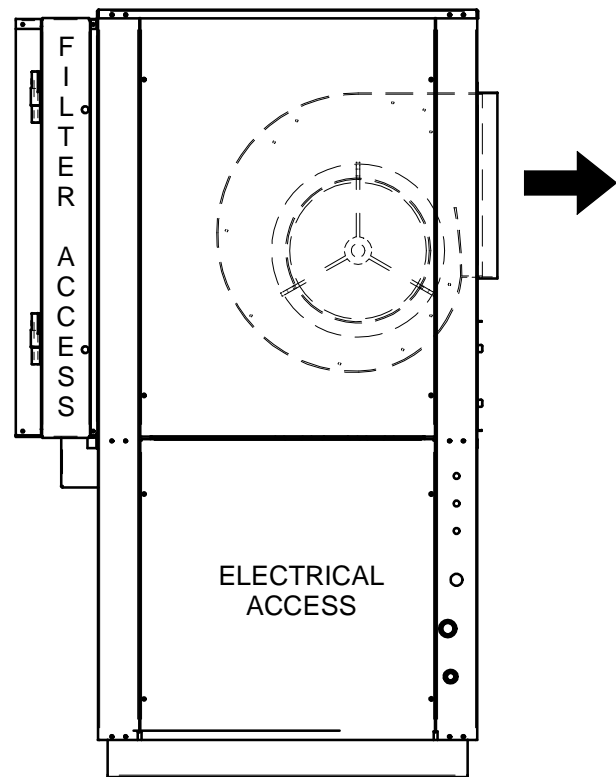


TOP SUPPLY - (12X9 CW) - (SA-TL07)

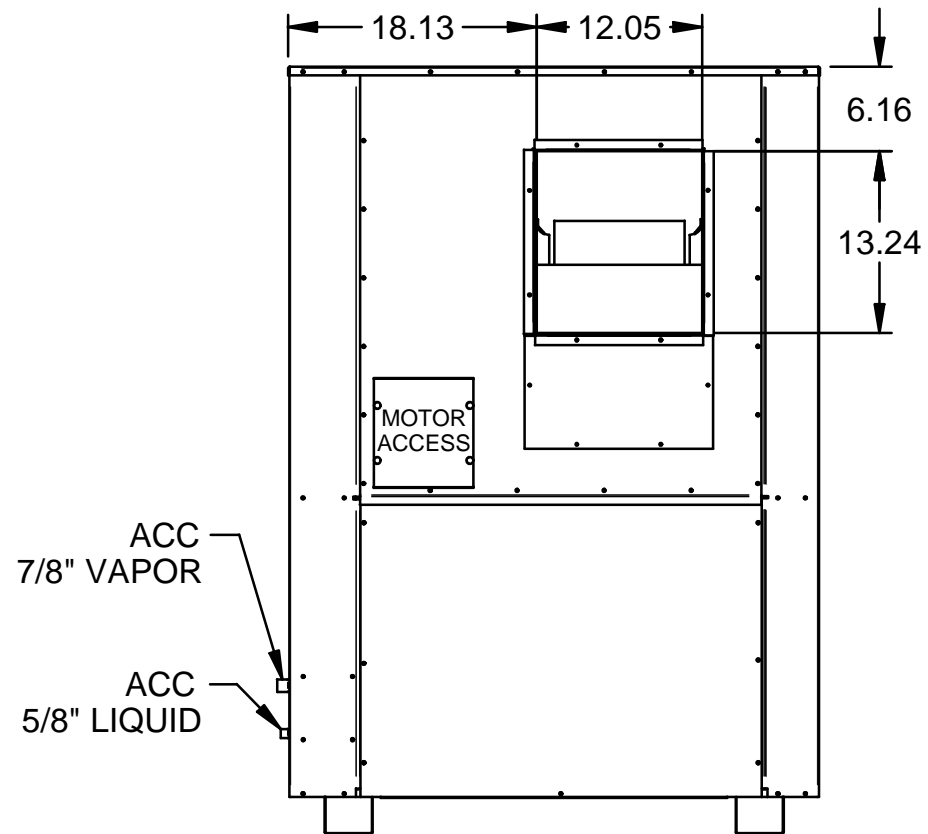


DIMENSIONS ARE IN 'INCHES'  
WEIGHTS ARE IN 'POUNDS'

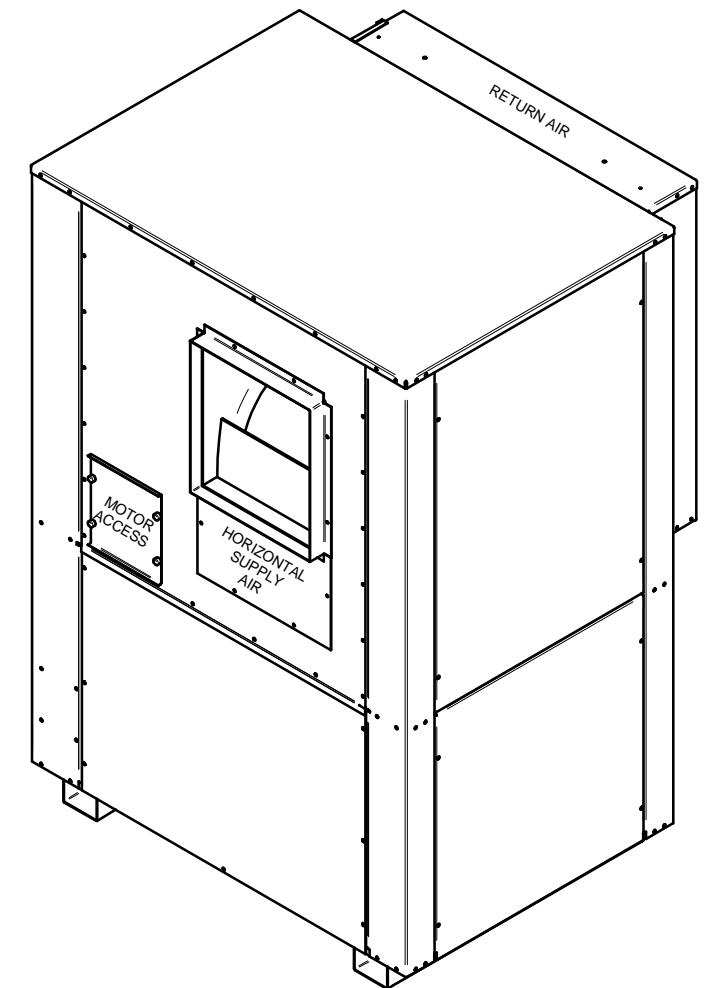
POOLPAK INTERNATIONAL YORK, PA			
DESCR: DIAGRAM, AWW/HCDV-1400/1800 (VERTICAL) R410A TITLE BLOCK FOR INTERNAL USE ONLY			
			4 OF 6
**ESTIMATED WEIGHTS**			
	1400	1800	
AWV	620	630	
HCDV	590	600	
UNIT(S) USED: AWW/HCDV-1400/1800		FILE: 5600002.dft	
DR: dhenry	CHK:	REV. B	PART NO. 560-0002D
DATE: 8/12/2009			



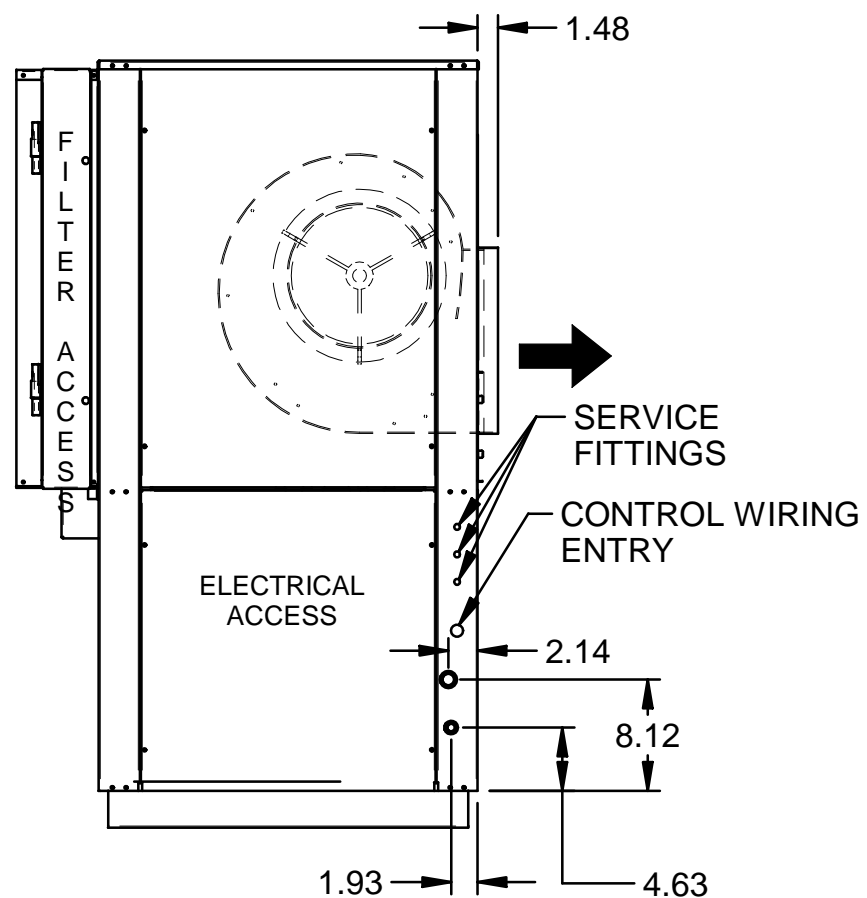
FRONT SUPPLY - (12X9 CW) - (SA-FL01)



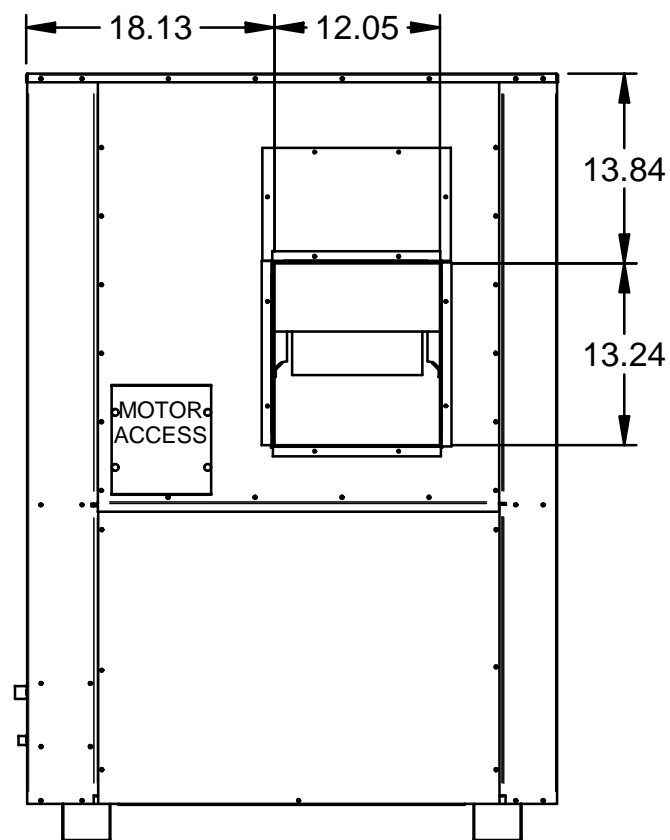
FRONT SUPPLY - (12X9 CW) - (SA-FL01)



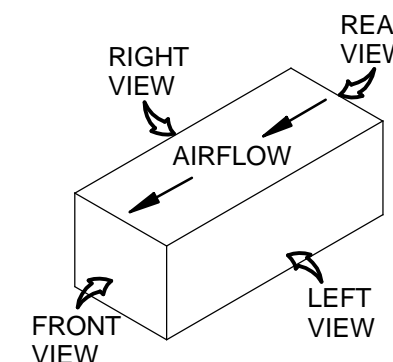
ISOMETRIC VIEW



FRONT SUPPLY - (12X9 CCW) - (SA-FL02)



FRONT SUPPLY - (12X9 CCW) - (SA-FL02)



DIMENSIONS ARE IN 'INCHES'  
WEIGHTS ARE IN 'POUNDS'

POOLPAK INTERNATIONAL YORK, PA			
DESCR: DIAGRAM, AWW/HCDV-1400/1800 (VERTICAL)			
R410A			
TITLE BLOCK FOR INTERNAL USE ONLY			5 OF 6
<b>**ESTIMATED WEIGHTS**</b>			
	1400	1800	
AWV	620	630	
HCDV	590	600	
UNIT(S) USED: AWW/HCDV-1400/1800		FILE: 5600002.dft	
DR: dhenry	CHK:	REV. B	PART NO. 560-0002D
DATE: 8/12/2009			