

POOLPAK



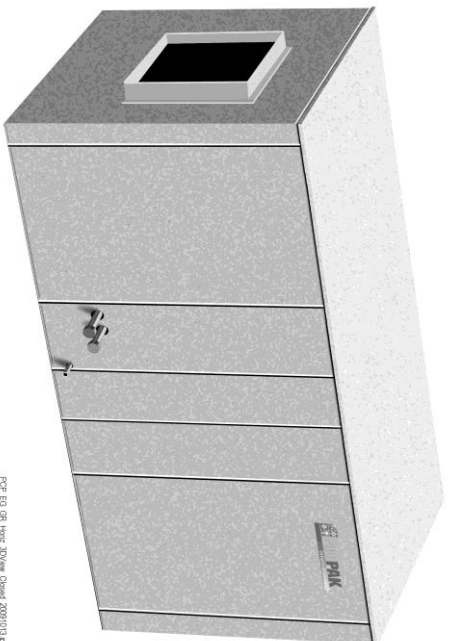
PoolComPak

Series AWH/HCDH, AWW/HCDV

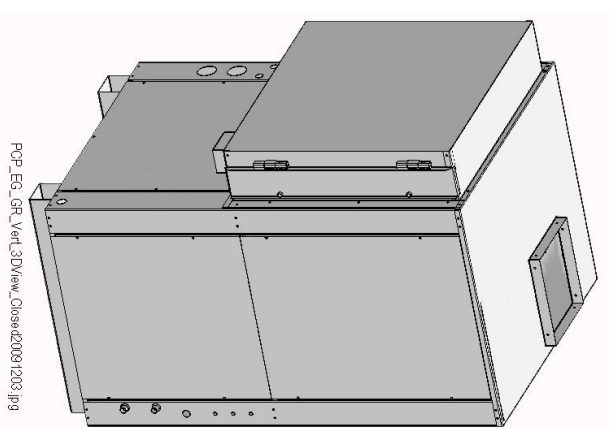
Air Cooled Condenser

Dimensional Drawings

Packaged Natatorium Environment Control System



POP_EG_GPR_Vent_3DView_Close20091019.jpg



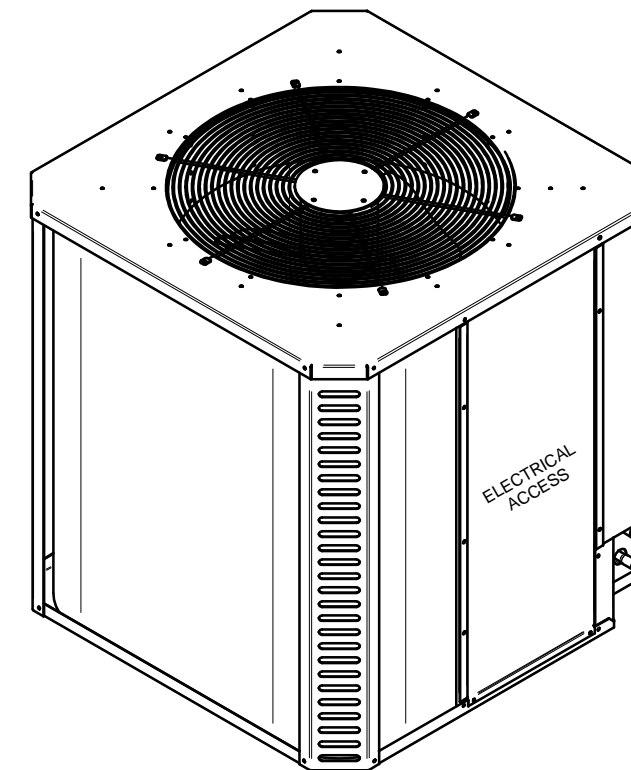
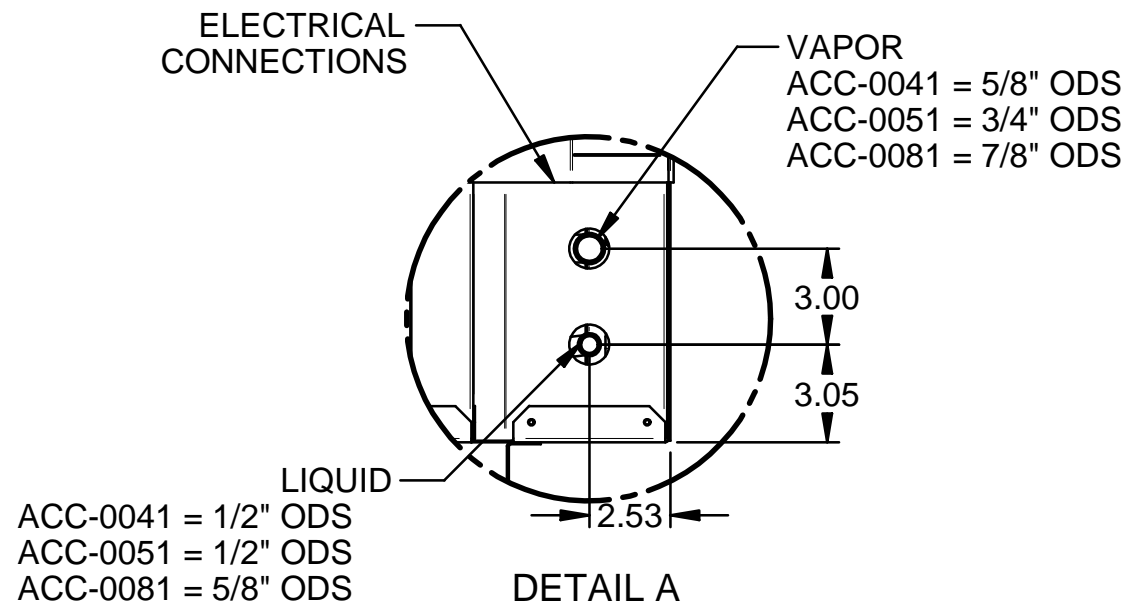
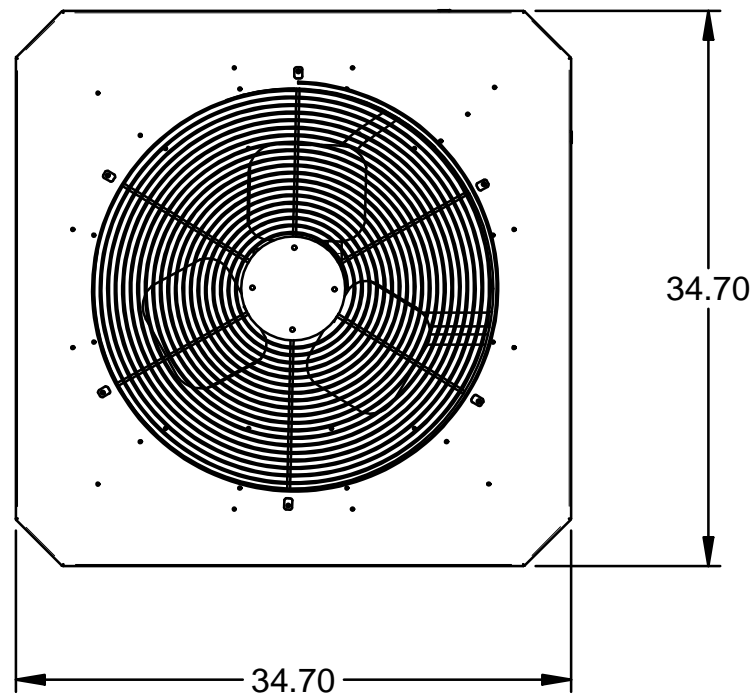
POP_EG_GPR_Vent_3DView_Close20091203.jpg



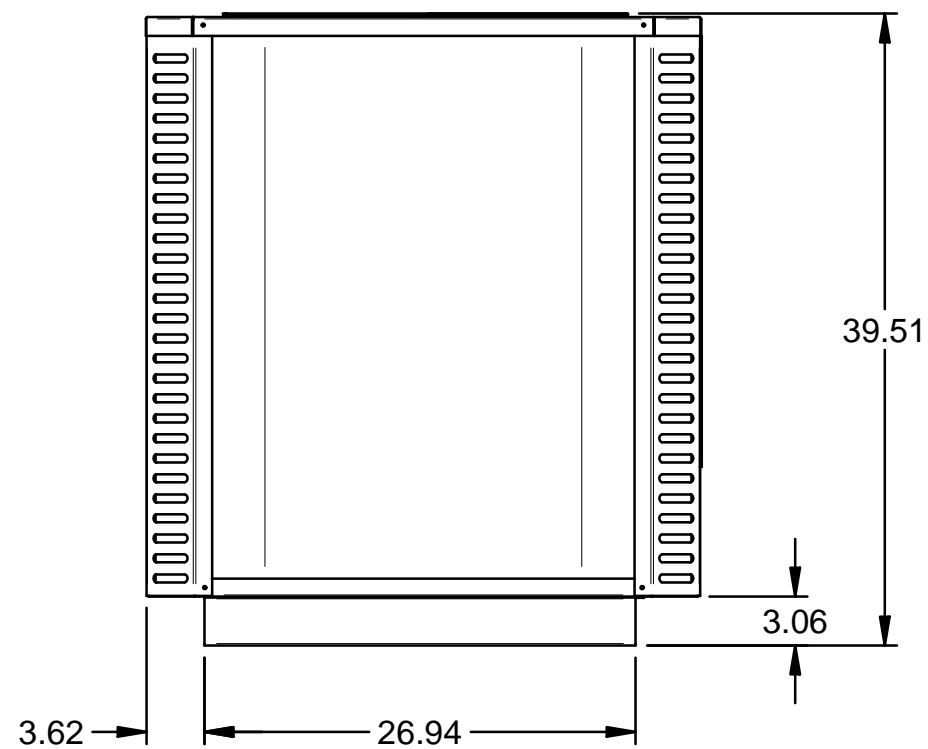
POOL ComPAK

PoolComPak™ Series (PCP)

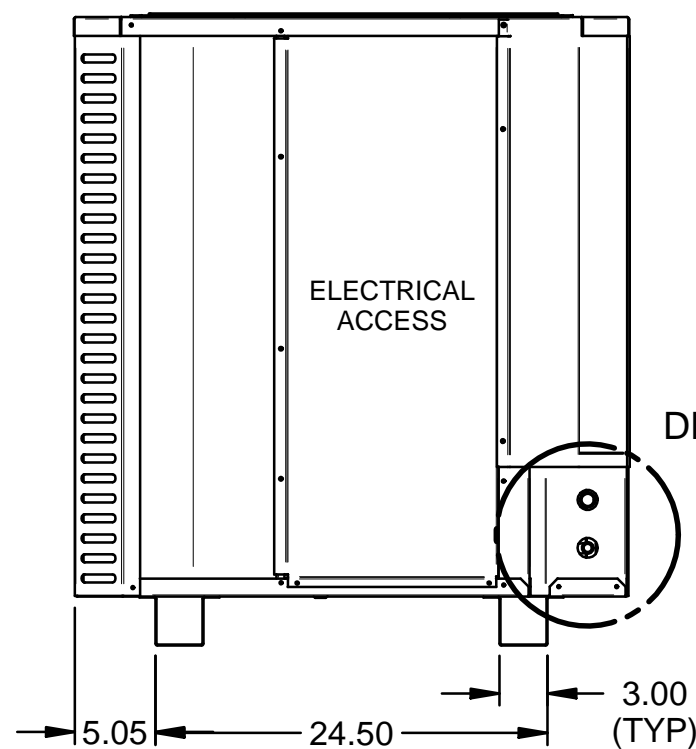
Natatorium Dehumidification Unit



ISOMETRIC VIEW

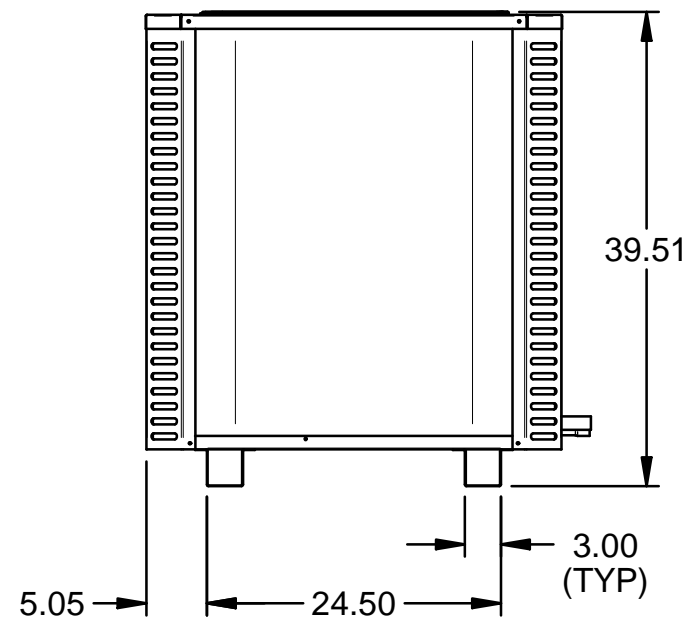
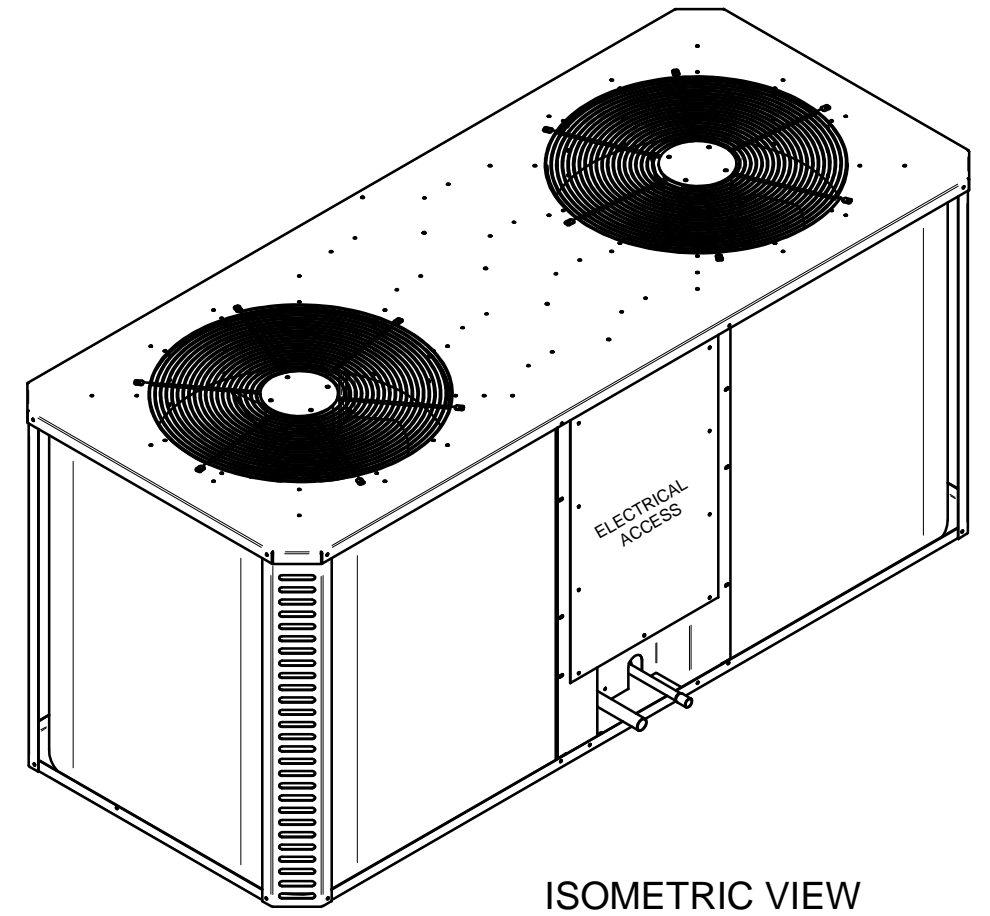
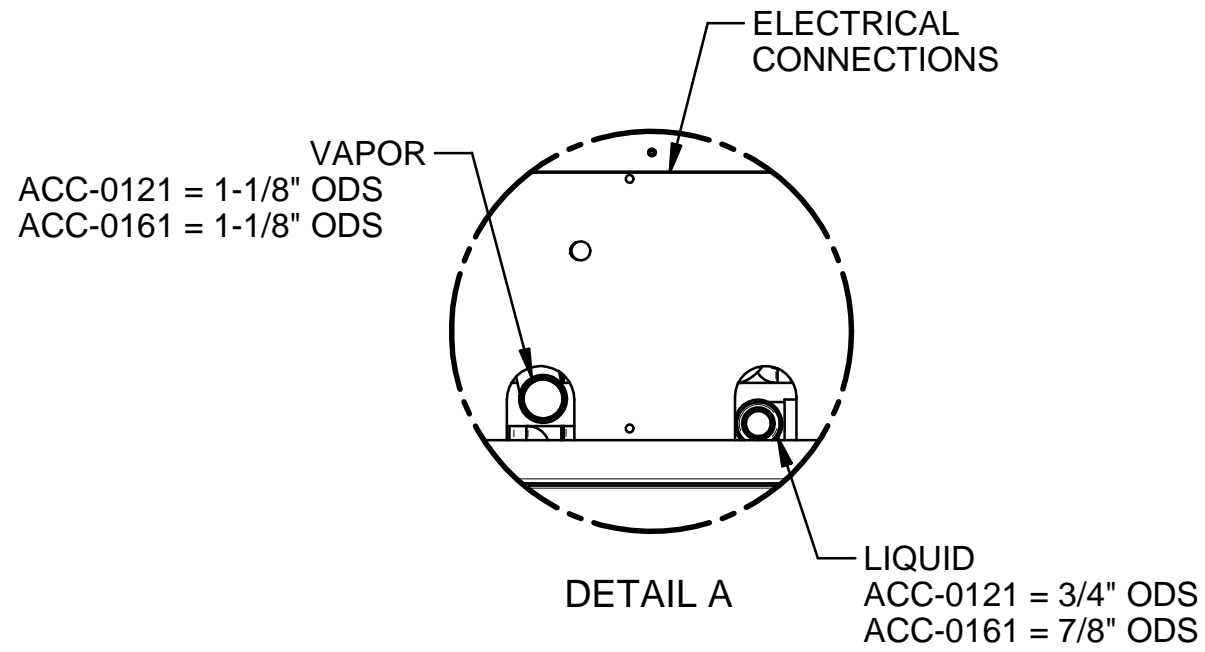
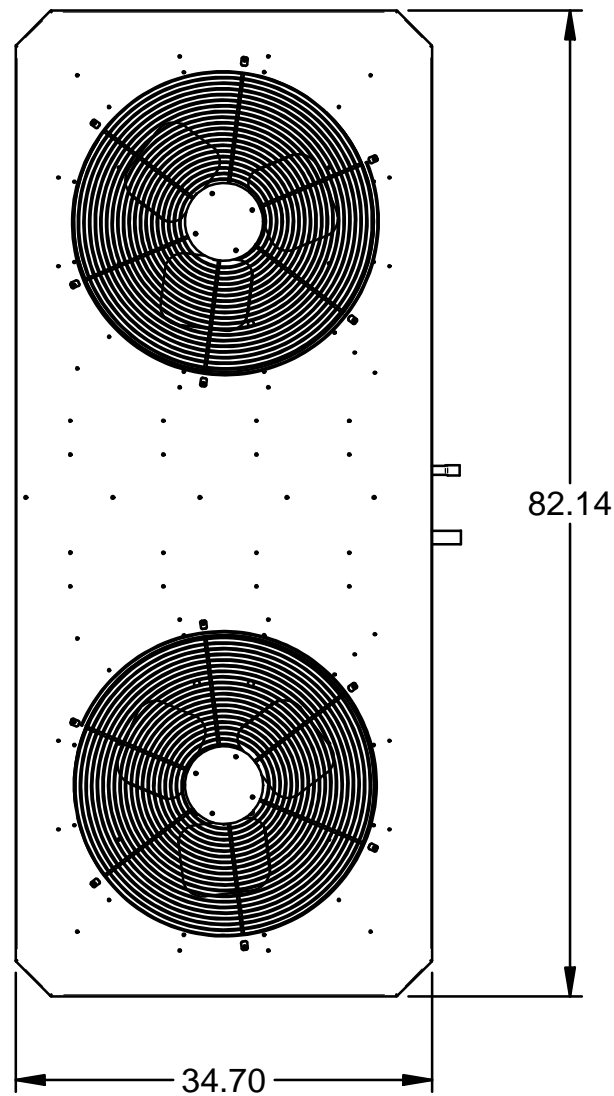


OVERALL DIMENSIONS

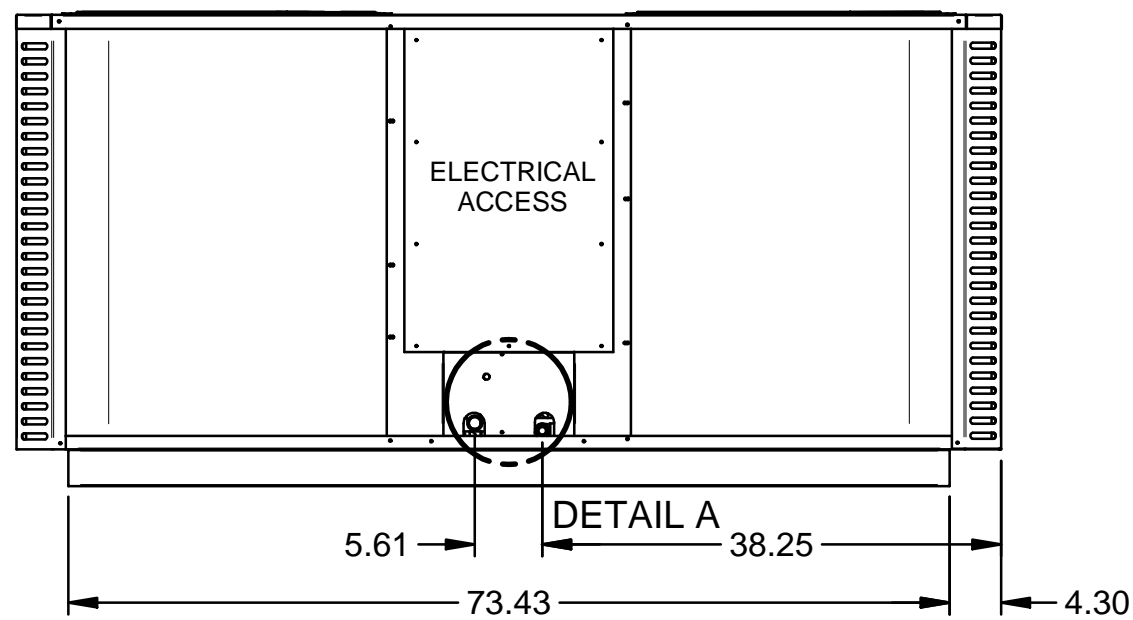


DIMENSIONS ARE IN 'INCHES'

POOLPAK INTERNATIONAL		YORK, PA	
DESCR: DIAGRAM, ACC-0041/0051/0081, SINGLE R410A			
TITLE BLOCK FOR INTERNAL USE ONLY			1 OF 2
ESTIMATED UNIT WEIGHTS: 120 LBS. (0041 / 0051); 210 LBS. (0081)		UNIT(S) USED: ACC-0041/0051/0081	
DR: dhenry		CHK:	REV. PART NO.
DATE: 8/25/2009		-	560-0009D

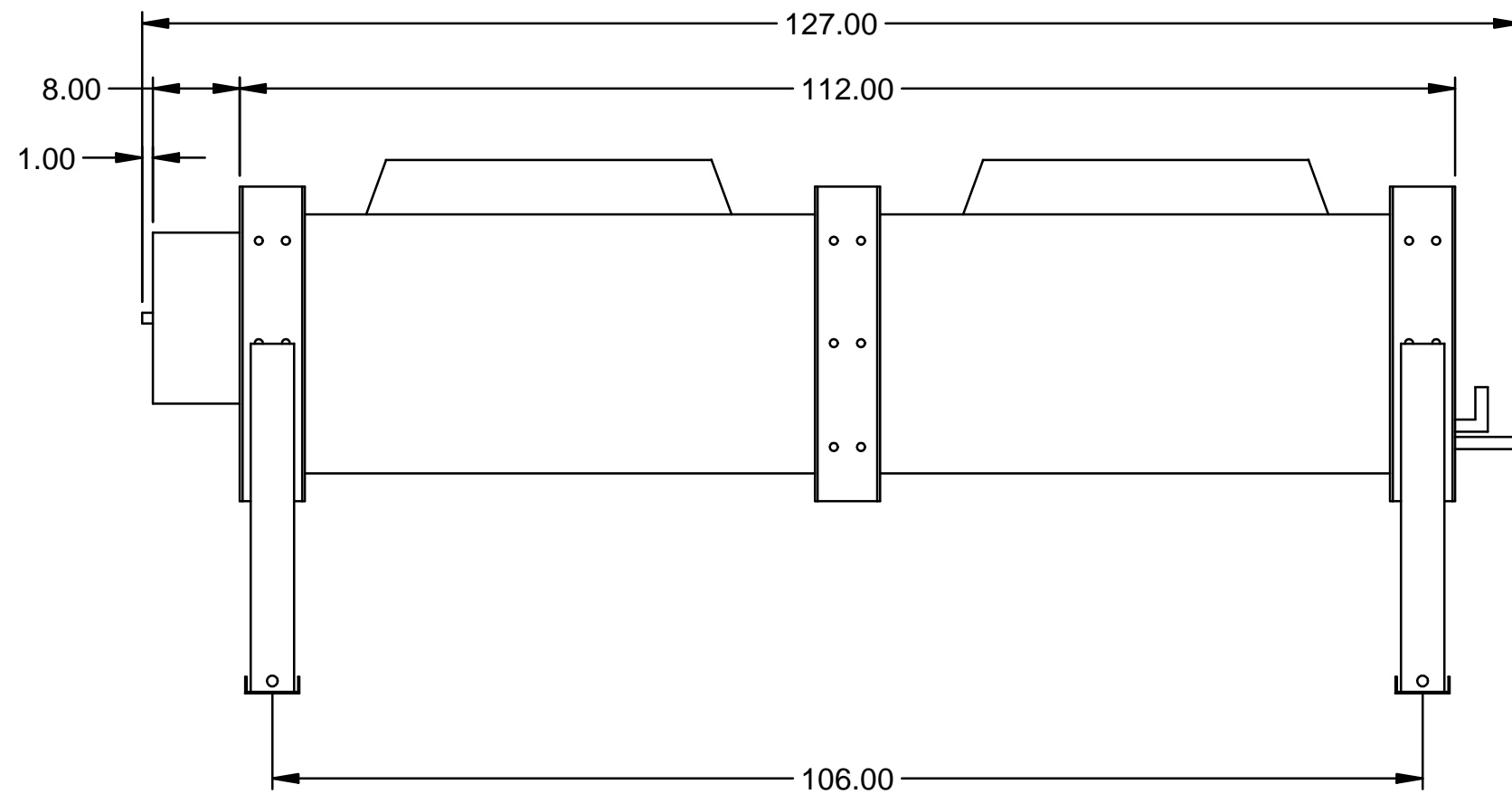


OVERALL DIMENSIONS

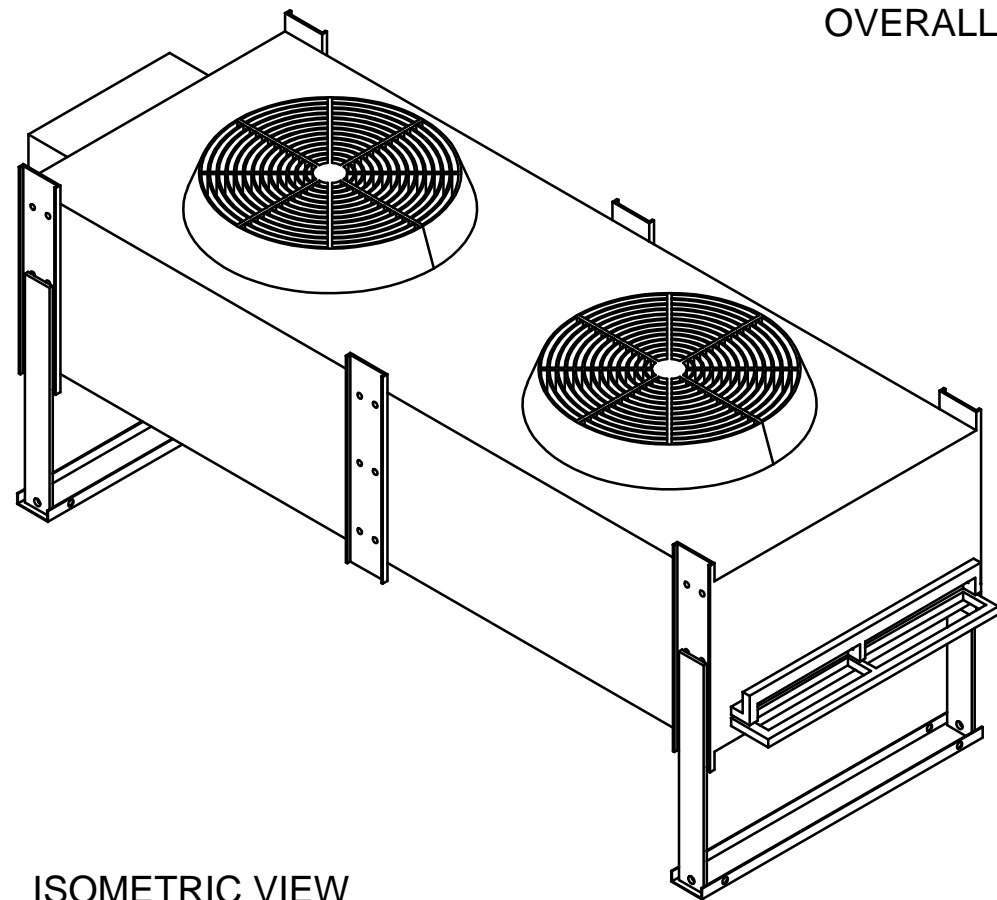
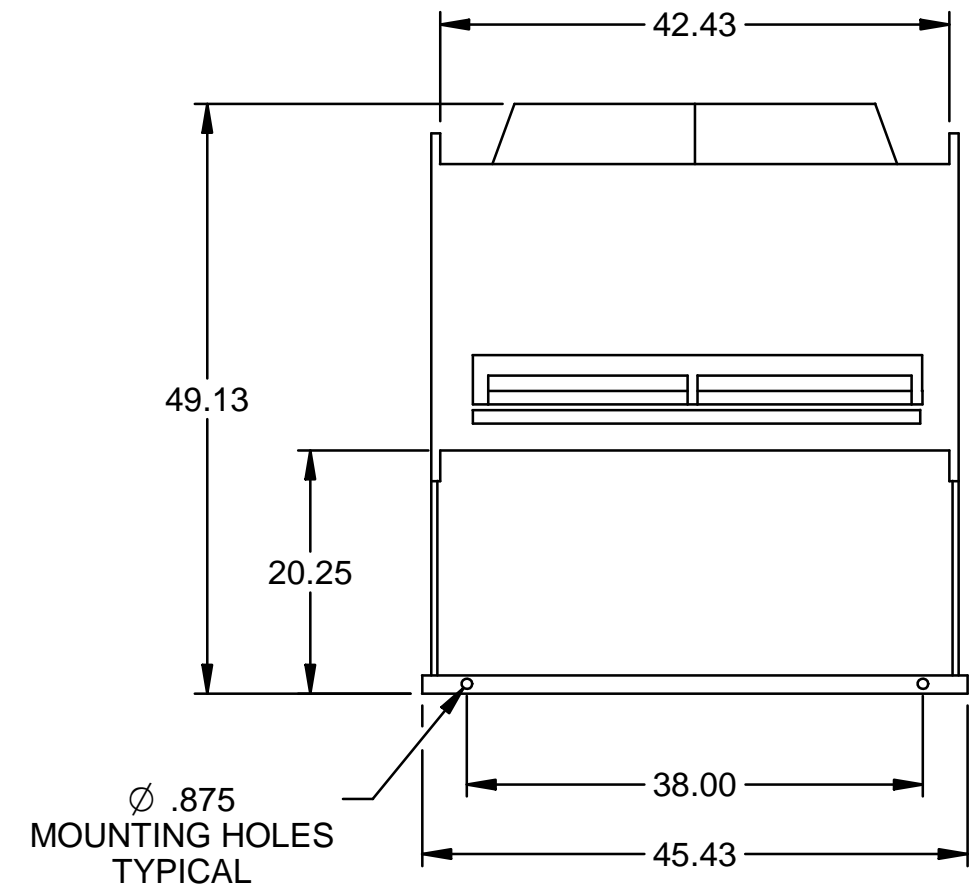


DIMENSIONS ARE IN 'INCHES'

POOLPAK INTERNATIONAL		YORK, PA	
DESCR: DIAGRAM, ACC-0121/0161, TANDEM			
R410A			
TITLE BLOCK FOR INTERNAL USE ONLY			1 OF 2
ESTIMATED UNIT WEIGHT: 470 LBS.		UNIT(S) USED: ACC-0121/0161	
		FILE: 5600008.dft	
DR: dhenry	CHK:	REV.:	PART NO.
DATE: 8/24/2009	-	-	560-0008D



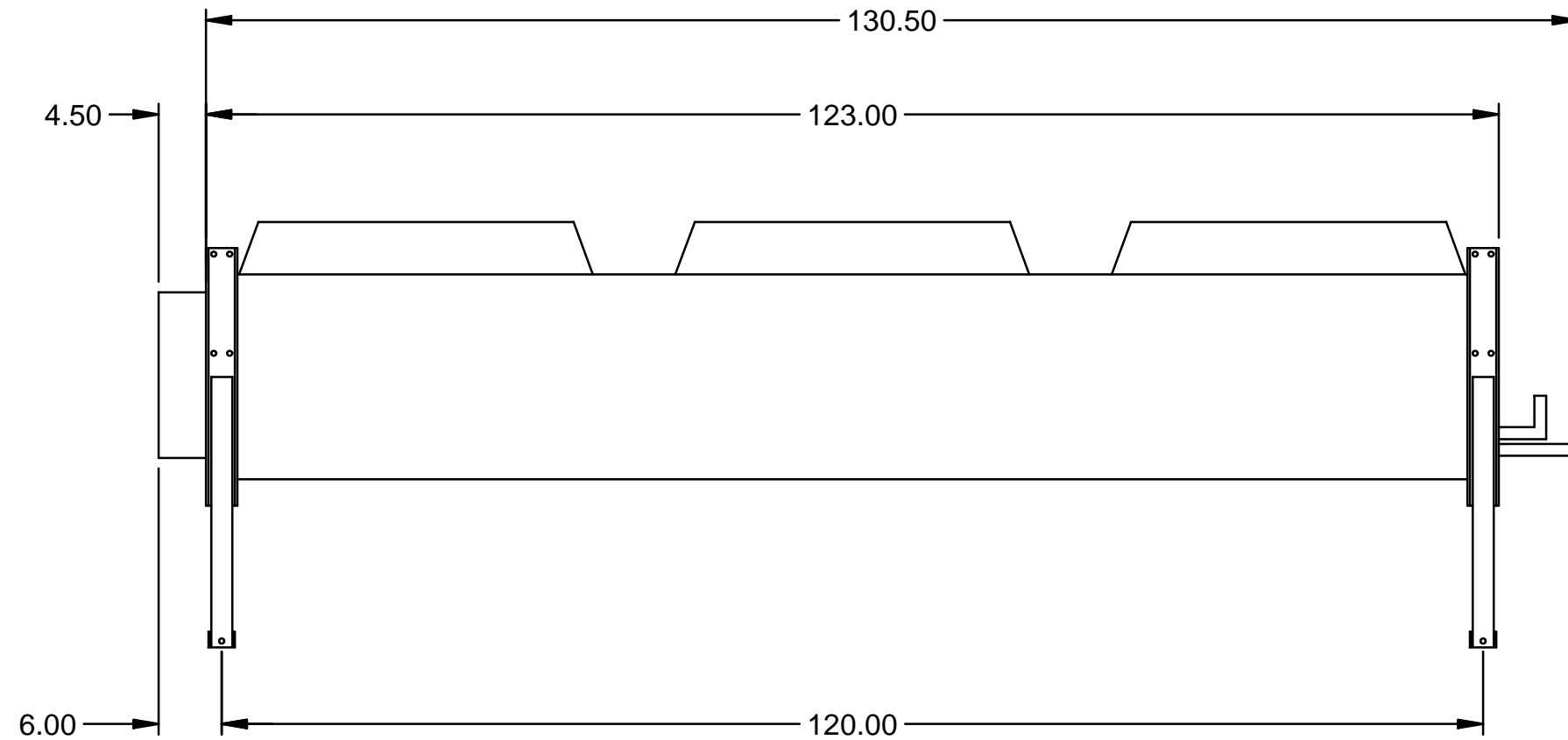
OVERALL DIMENSIONS



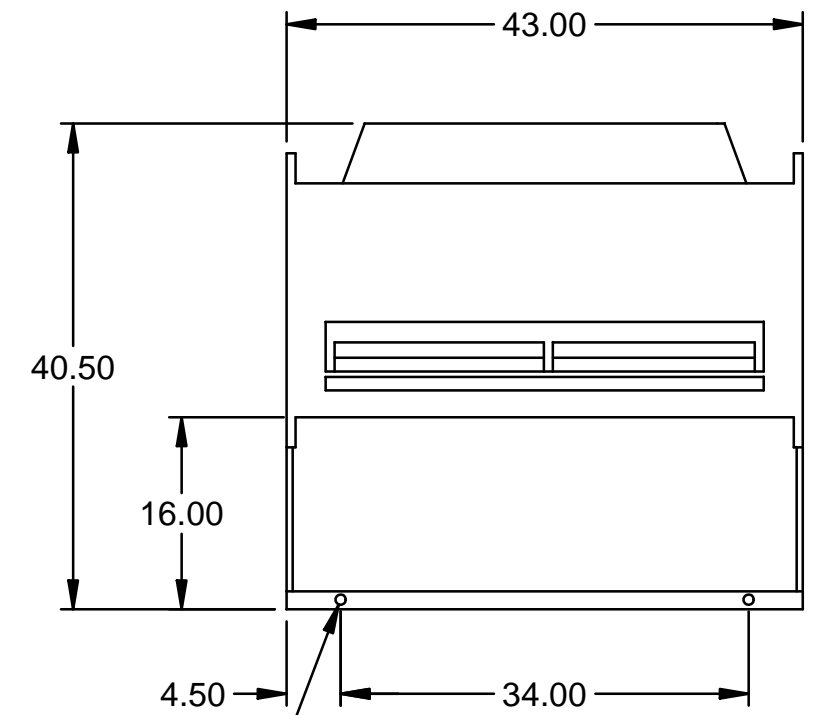
ISOMETRIC VIEW

DIMENSIONS ARE IN 'INCHES'

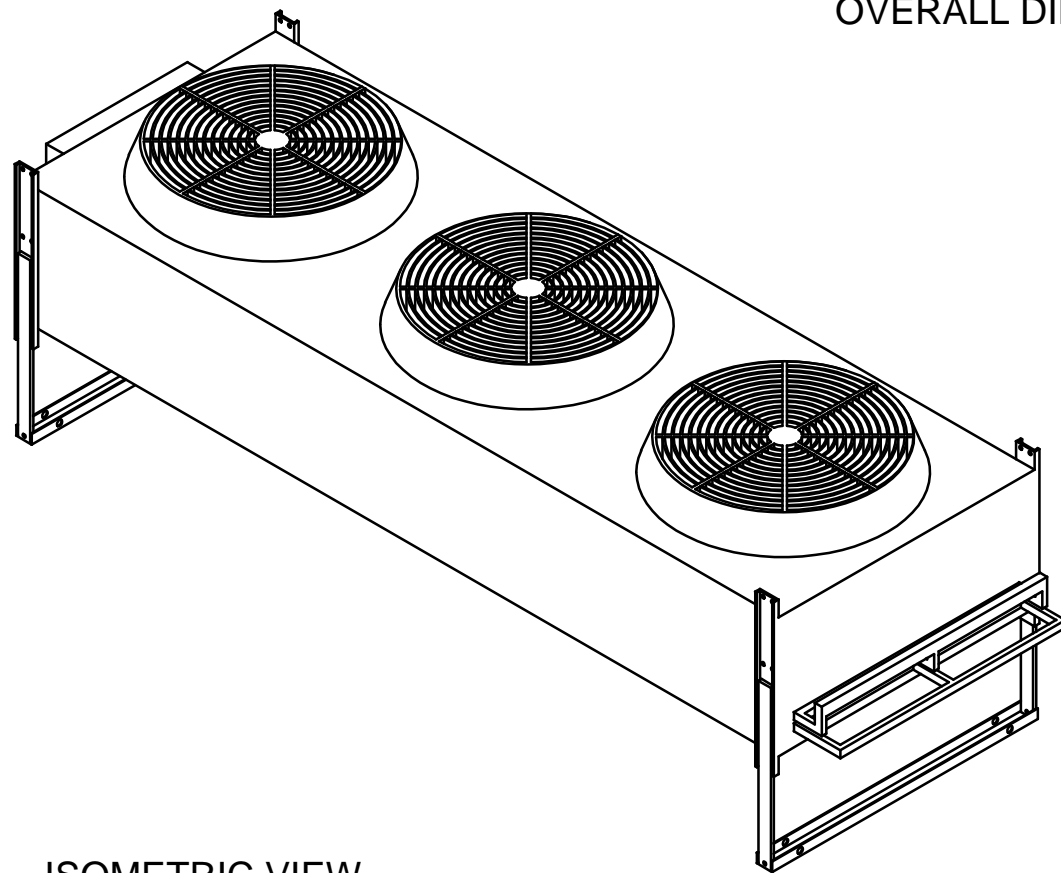
POOLPAK INTERNATIONAL YORK, PA			
DESCR: DIAGRAM, ACC-0301 / 0341, BOHN 'BNE' R-410A			
TITLE BLOCK FOR INTERNAL USE ONLY			1 OF 2
ESTIMATED UNIT WEIGHTS: 640 LBS. (ACC-0301); 690 LBS. (ACC-0341)		UNIT(S) USED: ACC-0301 / 0341	
		FILE: 5600010.dft	
DR: dhenry	CHK:	REV. -	PART NO. 560-0010D
DATE: 8/28/2009			



OVERALL DIMENSIONS



Ø .875
MOUNTING HOLES
TYPICAL



ISOMETRIC VIEW

DIMENSIONS ARE IN 'INCHES'

POOLPAK INTERNATIONAL		YORK, PA	
DESCR: DIAGRAM, ACC-0211, BOHN 'DVT'			
R-410A			
TITLE BLOCK FOR INTERNAL USE ONLY			1 OF 2
ESTIMATED UNIT WEIGHTS: 550 LBS.		UNIT(S) USED: ACC-0211	
		FILE: 5600011.dft	
DR: dhenry	CHK:	REV. A	PART NO. 560-0011D
DATE: 8/31/2009			